

Job Name:	
Submitted By:	



Submittal Sheet For: **WT024GLSI24HLG / YN024GLSI24RPG**

Date _____
 Ref. _____

Wall-Mounted Ductless 23SEER Inverter Heat Pump

System Full Set Model: **WYT024GLSI24RL**

AHRI Reference Number: **217048753**

Cooling Mode Performance

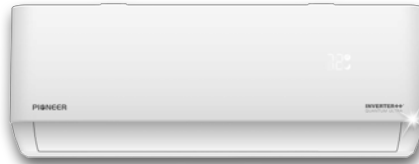
Rated Cooling	23,000 BTU/hr
Ambient Range	5~131°F
SEER2 Rating	23 BTU/W·h
EER2 Rating	11.7 BTU/W·h

* 100% Capacity @ Indoor DB 80°F / WB 67°F

Heating Mode Performance

Rated Heating	25,000 BTU/hr
Ambient Range	-13~86°F
HSPF2 IV (V)	9.5 (8.2) BTU/W·h
COP2 (47°F)	3.26 W/W

Low Heat (17°F) = 21,000 BTU / COP2 (5°F) = 1.8 W/W



Wall-Mounted Indoor Unit



Outdoor Condensing Unit



User-Selected Installation Kit



Handheld Remote Controller

Electrical Information

Rated Input (W)	Cooling	Heating
	1,860	2,000
Rated Current (A)	8.3	9.0
Breaker Needed	25A (Double-Pole)	
Power Supply	208~230V, 1Ph, 60Hz	

Piping and Refrigerant

Liquid Line (OD)	1/4 in
Suction Line (OD)	5/8 in
Refrigerant Precharge	R-454b(Supports 10-50ft.)
Max Length/Height Diff.	65 ft. / 50 ft.

This combination is Energy-Star certified.

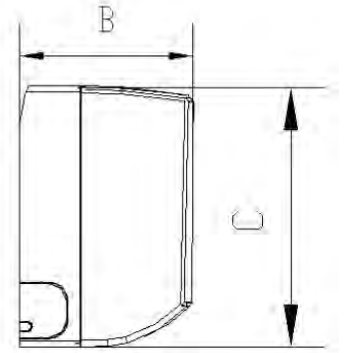
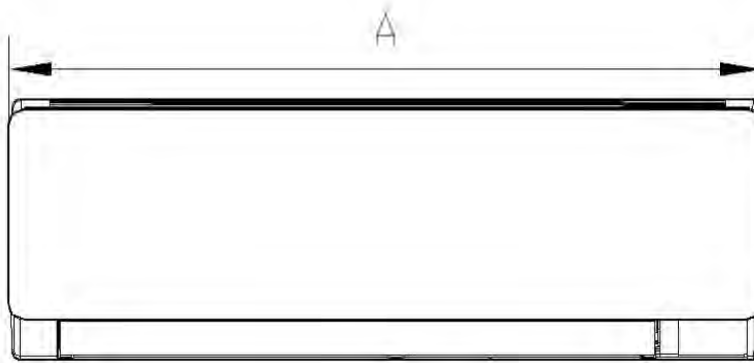
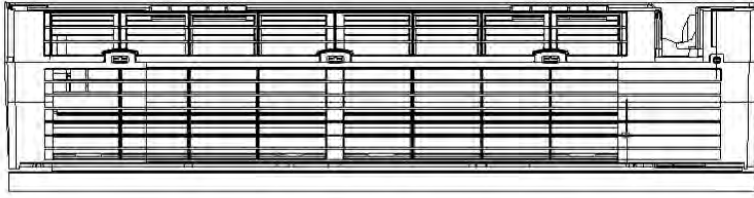


Interior Unit (Air Handler) Specifications

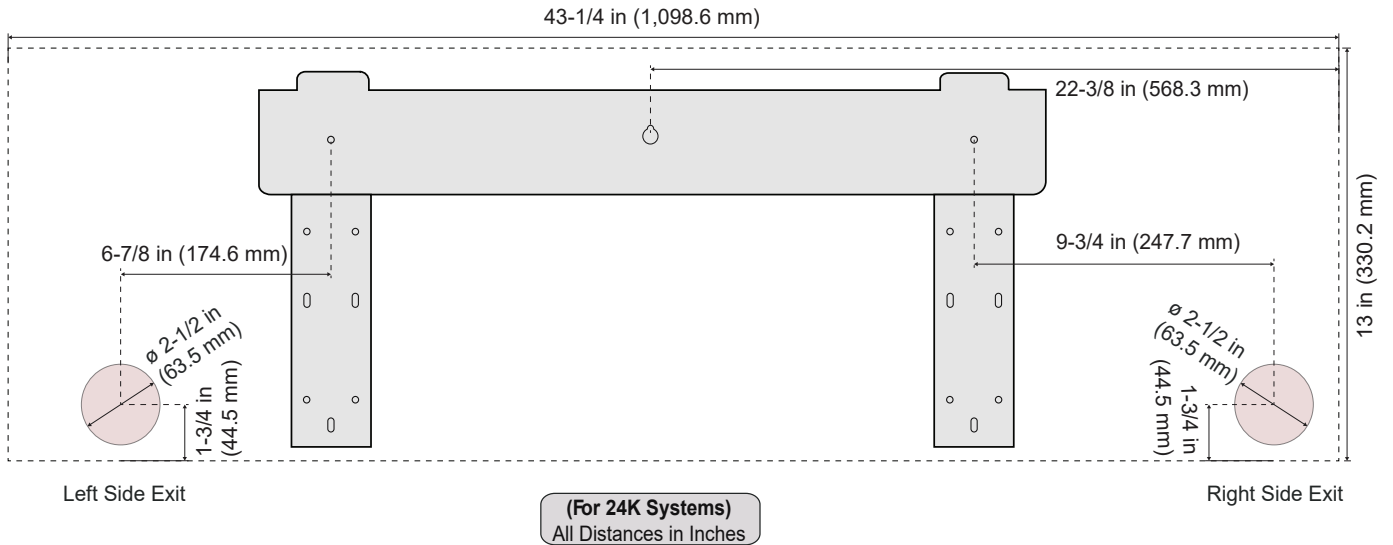
Type	Heat Pump
Sound Level (dBA)	50 (Turbo)/ 47 (Hi)/ 43 (Med)/ 38 (Lo)/ 34 (Mute)
Auto Air Circulation	2-Way Louver (Up-Down + Left-Right)
Dimensions (WDH)	43-1/8 in x 8-3/4 in x 13-1/8 in
Weight (lbs)	30.9

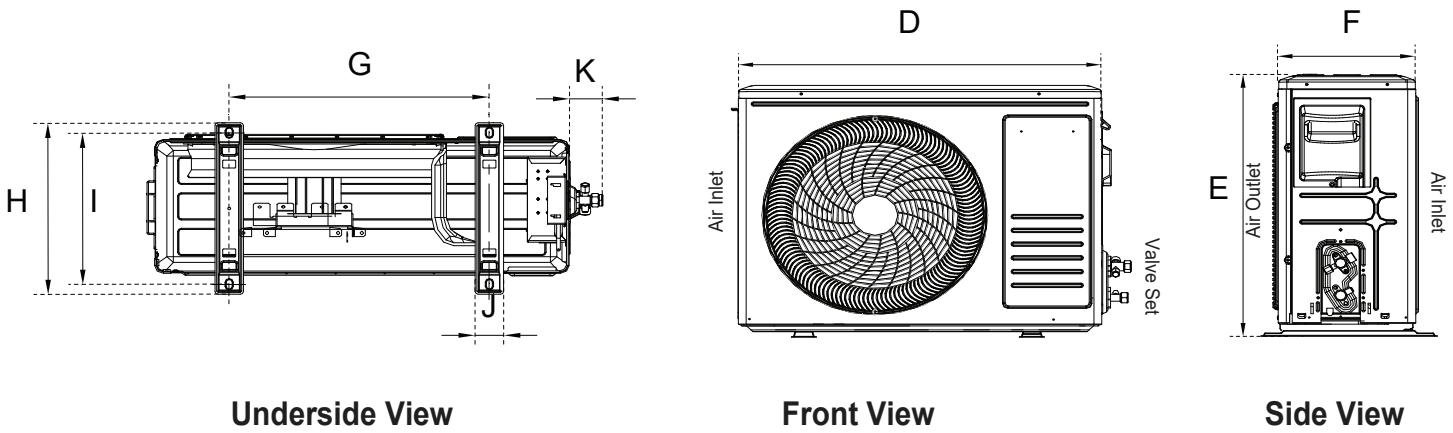
Exterior Unit (Condenser) Specifications

Sound Level (dBA)	54
Recommended Room Size	750~1,000 Sq. ft.
Minimum Room Size	62 Sq. ft.
Compressor	Inverter-Driven Rotary
Dimensions (WDH)	38-1/2 in x 16-5/8 in x 31-5/8 in
Weight (lbs)	104.7



Model	A	B	C
WT024GLSI24HLG	43-1/4 in	8-3/4 in	13-1/8 in
	1,097 mm	222 mm	331.8 mm





Model	D	E	F	G	H	I	J	K
YN024GLSI24RPG	35-7/8 in	31-5/8 in	14-1/8 in	23-7/8 in	16-5/8 in	15-3/8 in	2-3/8 in	2-1/2 in
	910 mm	803 mm	359 mm	607 mm	421 mm	390 mm	60 mm	63 mm

Warranty Information and Length



Complete warranty details are available with the vendor or online at <https://www.pdhvac.com/support/warranty/>. This high quality system is eligible for up to 10 years limited warranty on the compressor, and 7 years on other internal parts. To qualify for this warranty, the system must be installed within 90 days by a registered technician. All other installations that are registered default to 5 years parts/compressor. Products unregistered qualify for only 1 year parts/compressor warranty.

Outstanding Features

- LED Display
- Energy Saving
- Ultra-Thin Design
- Dual Drain Options
- Customizable Timer
- Eco-Friendly Refrigerant
- Whisper-Quiet Operation
- Power Loss Memory Recovery



Available Accessories

Part Number	Description
IKT-LCVR4P-KIT	<i>Decorative PVC Line Cover Kit</i>
IKT-LNBR-1/4-3/8	<i>BendAid Flexible Easy Bender Kit</i>
BRK-FRM-C-2P	<i>Folding Mounting Bracket w/ Leveler</i>
IKT-UVL32UL-AG	<i>UVC Bacterial Disinfection Kit</i>
IKT-SURPRK-DV2	<i>Ultimate Surge and Power Protection</i>