

# INSTALLATION GUIDE AND USERS MANUAL



## CEILING-MOUNT RANGE HOOD

Model Name: **SUNRISE**



**NOTICE:** For residential use only.

**Installer:** Leave this guide with the homeowner.

**Homeowner:** Keep this guide for future reference.



# TABLE OF CONTENTS

Important Safety Notice.....	3
Electrical Requirements.....	5
Venting Requirements.....	6
Calculating Vent System Length.....	7
Specifications.....	7
Required Tools, Parts Supplied.....	8
Dimensions.....	9
Preparation.....	10
Install Options.....	11
Venting Method.....	12
Rough-In.....	13
Do's and Don't's for Duct Venting.....	14
Rotate Blower Housing.....	15
Installing Drop Ceiling Mount.....	16
Filters.....	22
Recirculation Kit Option.....	23
Range Hood Operations.....	24
Troubleshooting.....	26
Maintenance.....	27
Warranty.....	28
Disclaimer.....	29
Contact Us.....	29

# IMPORTANT SAFETY NOTICE

## Read all instructions before installing and operating this appliance

- The installation in this manual is intended for qualified installers, service technicians or persons with similar qualified background. Installation and electrical wiring must be done by qualified professionals and in accordance with all applicable codes and standards, including fire-rated construction.
- **DO NOT** attempt to install this appliance yourself. Injury could result from installing the unit due to lack of appropriate electrical and technical background.
- Range hood may have very sharp edges; please wear protective gloves if it is necessary to remove any parts for installing, cleaning or servicing.
- Activating any switch ON before completing installation may cause ignition or an explosion.
- Due to the size and weight of this range hood, two-person installation is recommended.

### To reduce the risk of fire, electric shock, or injury to persons:

- For general ventilating use only. **DO NOT** use to exhaust hazardous or explosive materials and vapors.
- The combustion air flow needed for safe operation of fuel-burning equipment may be affected by this unit's operation. Follow the heating equipment manufacturer's guideline and safety standards such as those published by the National Fire Protection Association (NFPA), and the American Society of Heating, Refrigeration and Air Conditioning Engineers (ASHRAE), and the local code authorities.
- Before servicing or cleaning unit, switch power OFF at service panel and lock service panel to prevent power from being switched ON accidentally.
- Clean grease laden surfaces frequently. To reduce the risk of fire and to disperse air properly, make sure to vent air outside. **DO NOT** vent exhaust into spaces between walls, crawl spaces, ceiling, attics and/or garages.
- Ducted fans **MUST** always be vented to the outdoors.
- Use only metal ductwork and this unit **MUST** be grounded.
- Sufficient air is needed for proper combustion and exhausting of gases through the duct to prevent back drafting.
- When cutting or drilling into wall or ceiling, be careful not to damage electrical wiring or other hidden utilities.
- All electrical wiring must be properly installed, insulated and grounded.
- Old duct work should be cleaned or replaced if necessary to avoid the possibility of a grease fire.
- Check all joints on duct work to insure proper connection and all joints should be properly taped.
- Use this unit only in the manner intended by the manufacturer. If you have questions, contact the vendor.

### To reduce the risk of a stove top grease fire:

- Keep all fans, spacers, filters, grease tunnels, oil containers and grease-laden surfaces clean. Grease should not be allowed to accumulate on fan, baffle, spaces, filter, grease tunnel and oil container.
- Always turn range hood ON when cooking at high heat or when cooking foods that produce flames.
- Use high settings on cooking range only when necessary.
- Never leave surface units unattended at high settings. Boil overs cause smoking and greasy spillovers that may ignite. Heat oils slowly on low or medium settings.

# IMPORTANT SAFETY NOTICE

## Read all instructions before installing and operating this appliance

- Clean ventilating fan frequently.
- Always use appropriate cookware and utensils size.
- Always use cookware appropriate for the size of the surface element.

### To reduce the risk of injury to persons in the event of a stove top grease fire:

- Smother flames with a close-fitting lid, cookie sheet, or metal tray, then turn OFF the burner. Be careful to PREVENT BURNS. Never pick up a pan that has flames—you may be burned. Keep flammable and/or combustible material away from flames. If the flames DO NOT go out immediately, EVACUATE and CALL the FIRE DEPARTMENT or dial your local emergency service immediately.
- DO NOT use WATER, including wet dishcloths or towels — it will result in a violent steam explosion
- Use an extinguisher ONLY if:
  - You know you have a Class A, B, C extinguisher, and you already know how to operate it.
  - The fire is small and contained in the area where it has started.
  - The fire department is on the way.
  - You can fight the fire while having access to a safe exit.

### To reduce the risk of injury to persons in the event of a gas leaks:

- Extinguish any open flame.
- DO NOT turn on the range hood fan or any type of ventilator.
- DO NOT turn on the lights or any type of appliance.
- Open all doors and windows to disperse the gas. If you still smell gas, call the gas company and fire department or dial your local emergency service immediately.

Your safety and the safety of others is very important. We have provided many important safety messages in this manual and on your appliance. Always read and obey all safety messages. All safety messages will tell you what the potential hazard is, tell you how to reduce the chance of injury, and tell you what can happen if the instructions are not followed.



This is the safety alert symbol. This symbol alerts you to potential hazards that can hurt you and others. All safety messages will follow the safety alert symbol and the word “WARNING”.

The manufacturer and/or distributor/reseller declines all responsibility in the event of failure to observe the instructions given here for installation, maintenance and suitable use of the product.

The manufacturer and/or distributor/reseller further declines all responsibility for injury due to negligence and the warranty of the unit automatically expires due to improper maintenance.

The manufacturer and/or distributor/reseller will not be held responsible for any damages to personal property or real estate or any bodily injuries whether caused directly or indirectly by the range hood.

# ELECTRICAL REQUIREMENTS

**IMPORTANT: Observe all governing codes and ordinances.**

It is the customer's responsibility:

- To contact a qualified electrician
- To assure that the electrical installation is adequate and in conformance with National Electrical Code, ANSI/NFPA 70 — latest edition\*, or CSA Standards C22. 1-94, Canadian Electrical Code, Part 1 and C22. 2 No. 0-M91 - latest edition\*\* and all local codes and ordinances.

If codes permit and a separate ground wire is used, it is recommended that a qualified electrician determine that the ground path is adequate.

A 120-Volt, 60 Hz, AC-only, fused electrical supply is required on a separate 15-amp circuit.

DO NOT ground to a gas pipe.

Check with a qualified electrician if you are not sure that the range hood is properly grounded.

DO NOT have a fuse in the neutral or ground circuit.

**IMPORTANT: Save this Installation Guide for electrical inspector's use.**

The range hood must be connected with copper wire only.

The range hood should be connected directly to the fused disconnect (or circuit breaker) box through flexible armored or non-metallic sheathed copper cable. A U.L. - or C.S.A. - listed strain relief must be provided at each end of the power supply cable.

Wire sizes (copper wire only) and connections must conform with the rating of the appliance as specified on the model/serial rating label. Wire sizes must conform to the requirements of the National Electrical Code ANSI/NFPA 70 — latest edition\*, or CSA Standards C22. 1-94, Canadian Electrical Code Part 1 and C22. 2 No. 0-M91 - latest edition\*\* and all local codes and ordinances. A U.L. - or C.S.A. - listed conduit connector must be provided at each end of the power supply cable (at the range hood and at the junction box).

Copies of the standards listed may be obtained from:

\* National Fire Protection Association

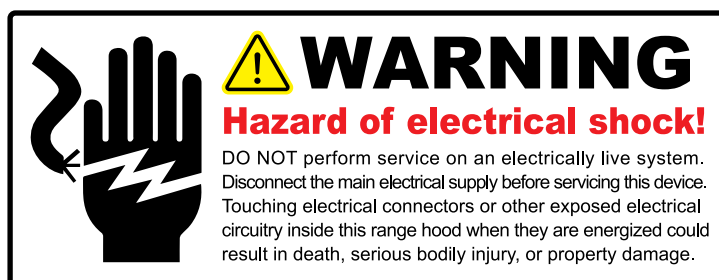
Batterymarch Park

Quincy, Massachusetts 02269

\*\* CSA International

8501 East Pleasant Valley Road

Cleveland, Ohio 44131-5575



# VENTING REQUIREMENTS

- Vent system must terminate to the outside (roof or side wall).
- **DO NOT** terminate the vent system in an attic or other enclosed area.
- **DO NOT** use 4" or 5" laundry-type wall caps. Use a 6" or larger Wall/Roof Cap.
- Use metal/aluminum vent only. We recommend using Rigid instead of Flex duct.
- Always keep the duct clean to ensure proper airflow.

## For the most efficient & quiet operation:

- It is recommended that the range hood be vented with a 6" or bigger round metal/aluminum vent work.
- The size of the vent should be uniform.
- Use no more than two 90° elbows.
- Make sure there is a minimum of 24" (61 cm) of straight vent between the elbows if more than one elbow is used.
- DO NOT install two elbows together.
- The length of vent system and number of elbows should be kept to a minimum to provide efficient performance.
- Use aluminum foil tape to seal all joints in the vent system.
- Use caulking to seal exterior wall or roof opening around the cap.
- Use 45 degree elbows instead of 90 degree elbows when possible.

## IMPORTANT:

- A minimum of a 6" round duct (standard for this range hood) must be used to maintain maximum airflow efficiency.
- Always use rigid type metal/aluminum ducts if available to maximize airflow when connecting to provided duct.
- Please use Duct Run Calculation below to compute total available duct run when using elbows, transitions and caps.
- ALWAYS, when possible, reduce the number or transitions and turns in the duct run. If a long duct run is required, increase the duct size from 6" to 8". If a reducer is used, install a long reducer instead of a pancake reducer. Reducing the duct size will restrict airflow and decrease efficiency.
- If turns or transitions are required: Install as far away from opening and as far apart, between 2, as possible.

## Minimum Duct Size:

- Round - 6" minimum

# CALCULATING VENT SYSTEM LENGTH

To calculate the length of the duct system you require, subtract the equivalent feet for each “Vent piece” (Table Below) used in the system from the “Recommended maximum run” (Table Below). The longest duct run that is acceptable (if completely straight) is 50 feet. The number of vent pieces (elbow, transition, etc.) installed in your duct run will determine the maximum length the duct run can be. Please refer to the example below:

Duct Run Calculation:	
Recommended maximum run	
6" round duct	50 ft
Vent piece deduction	
Each 90° elbow used	9 ft
Each 45° elbow used	5 ft
Each Round - Rectangle transition used	7 ft
Side wall cap with damper	7 ft
Roof cap	7 ft

## Duct Run Calculation example:

One roof cap, two 90° elbows, and one 45° elbow used:

$$7ft + 9ft + 9ft + 5ft = \underline{30ft} \text{ used.}$$

The above vent pieces used are equivalent to 30ft of a straight duct run. Subtract 30ft from the allowable 50ft. The remaining distance of 20ft is the longest that the straight ducting (in addition to the vent pieces) can be.

## SPECIFICATIONS

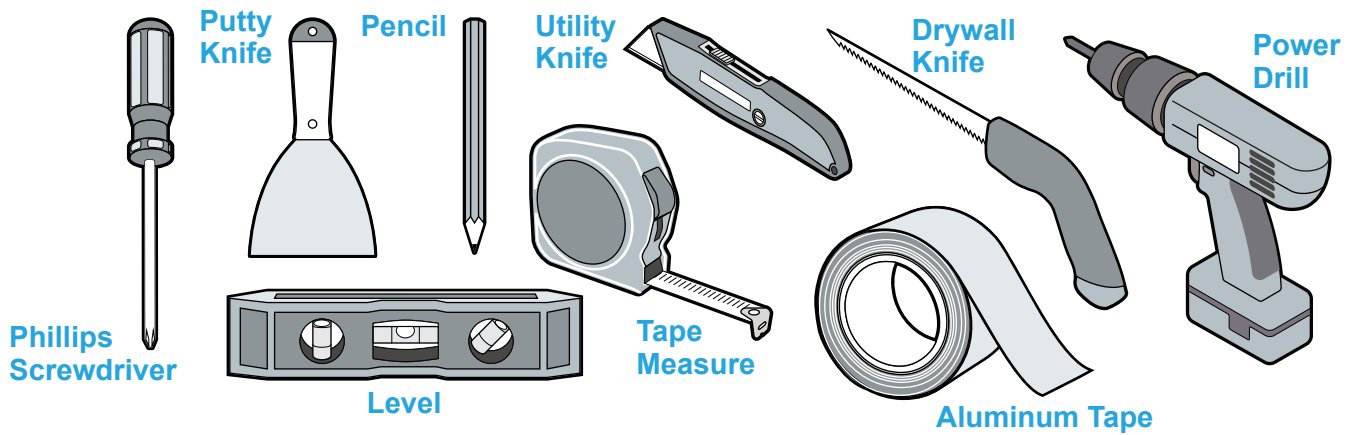
Body Design	Seamless Stainless Steel
Power Rating	120V/60Hz (USA & Canada standard)
General Input Power	320 W (300W + 2 x 10W)
Motor Input Power	300 W
Ampere	3 A
Levels Of Speed Control	3 Levels
Airflow <sup>1</sup> (Q/L/M/H)	200 CFM / 400 CFM / 600 CFM
Noise Level <sup>2</sup> (Q/L/M/H)	1.0 Sone / 3.5 Sone / 5.5 Sone
Number Of Motors	Single Motor
Motor Type	Single Chamber Ultra Quiet
Fan Type	Centrifugal Squirrel Cage
Control Type	Remote Control and Electronic Control Panel
Filtration Type	Aluminum Filters with Stainless Steel Cover
Illumination	2 x LED strip 10W 12v
Venting Size	6 inch Round (Side or Top*) *Must select before purchase

1. In House Test Static Pressure “0”.

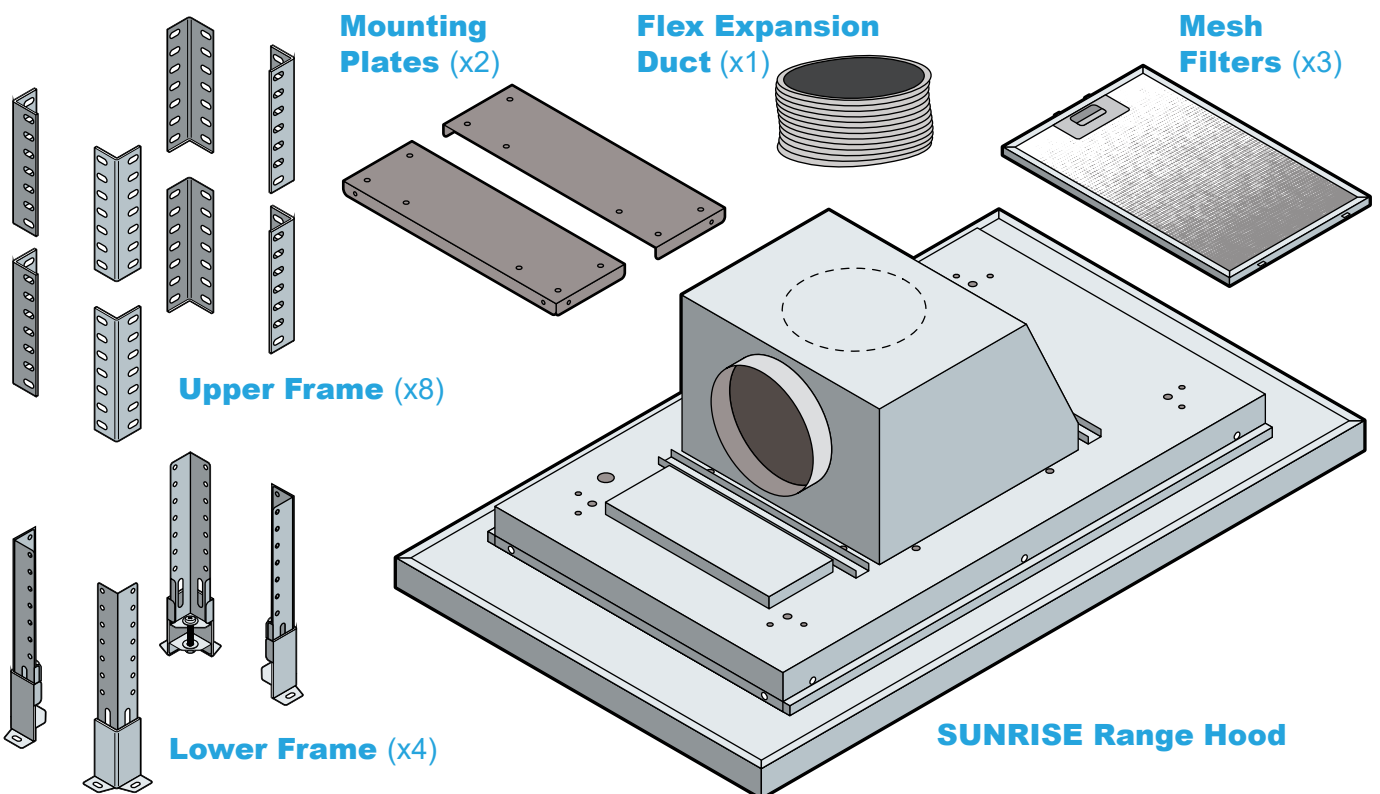
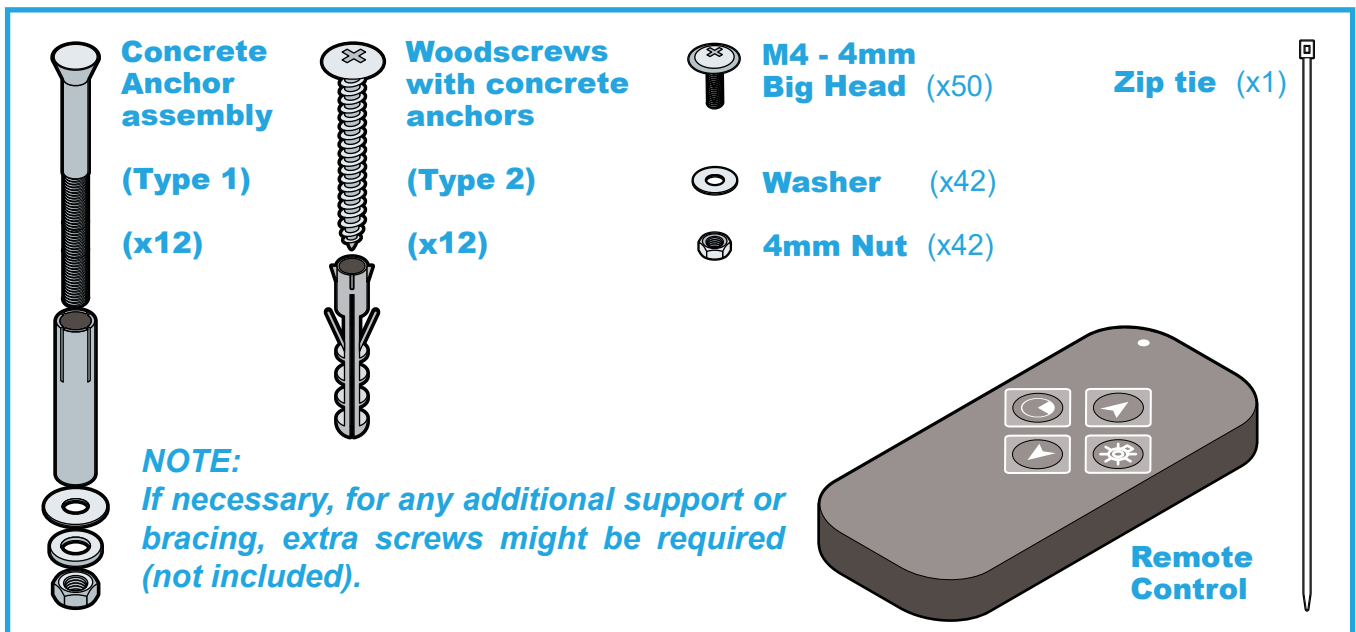
2. One sone is roughly equivalent to the sound of a refrigerator (1kHz) at 40 decibels.

3. Subject to change without notice, please contact your local reseller for details.

## REQUIRED TOOLS



## PARTS SUPPLIED

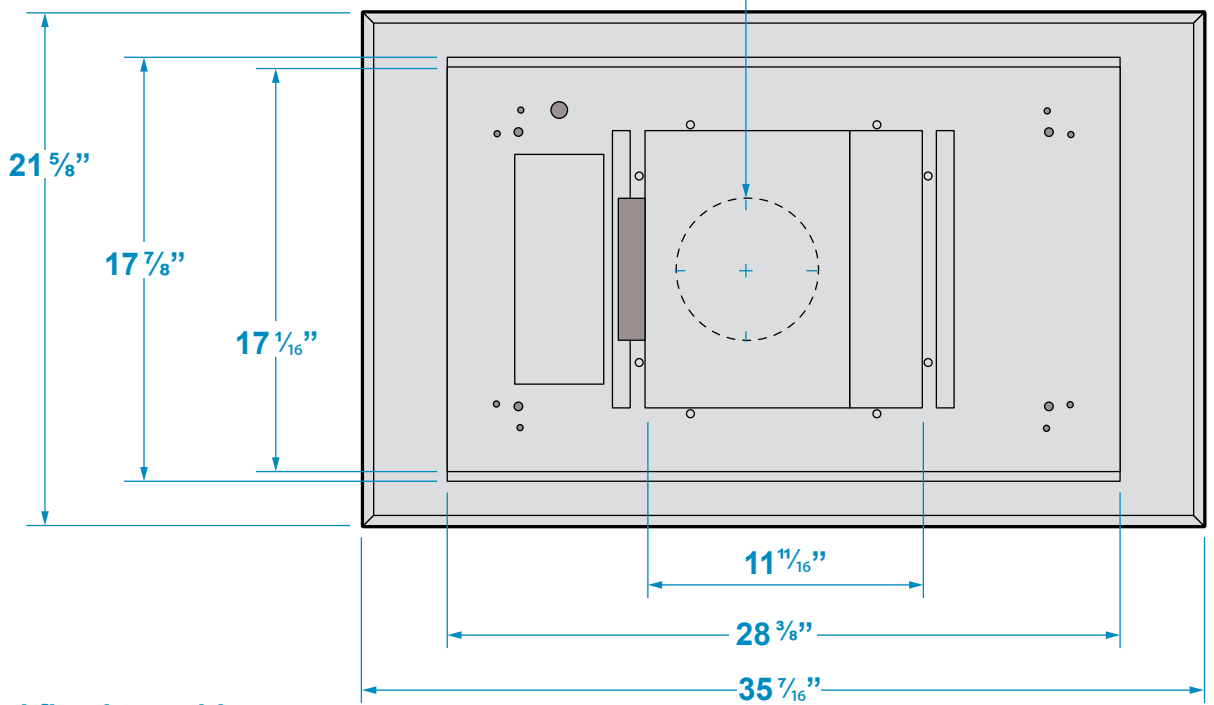


\*Control switches and panel may vary in appearance

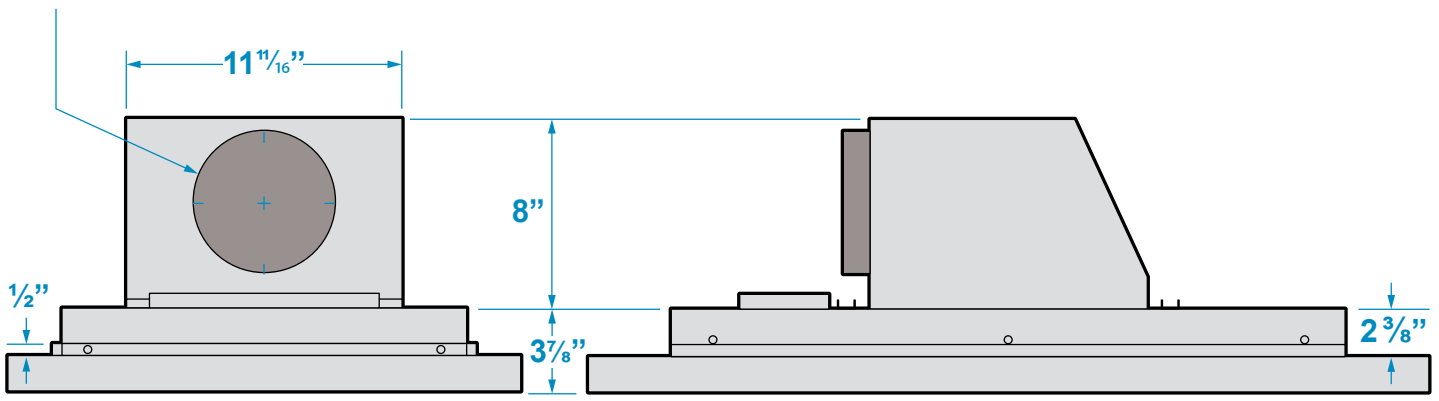
# DIMENSIONS

Optional top vent access 6"- Ø must be ordered at additional cost

TOP VIEW

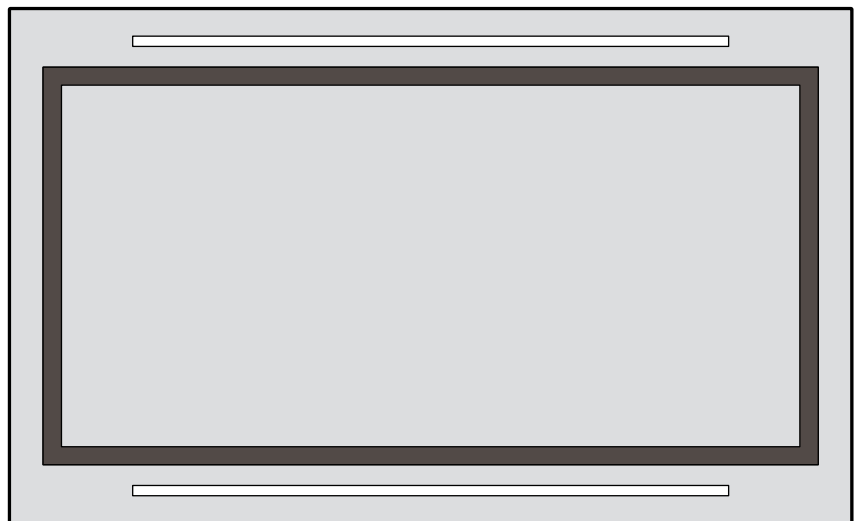


6"- Ø Standard fixed transition



SIDE VIEW

FRONT VIEW



BOTTOM VIEW

## PREPARATION

 **WARNING**  
**Severe Injury**  
Rotating fan can cause severe injury.  
Stay clear of fan when motor is running.

 **WARNING**  
**Excessive Weight**  
Require three or more persons to move and install this range hood.  
Spinal or other bodily injuries could occur if it is not followed.

### Advanced Preparations:

- Be familiar with the controls of the range hood by reading through Range Hood Operations.
- Place the range hood on a flat, stable surface. Connect the range hood to a designated standard outlet (please refer the product label for the suitable voltage of this unit) and turn on the range hood. Verify all operations of the range hood by referring to Range Hood Operations. Place all supplied parts and required hardware on a flat, stable surface and verify the existence of all supplied parts.
- Carefully remove the white or blue plastic protective coat from the range hood.

### Preparations:

**NOTE: To avoid damage to your hood, prevent debris from entering the vent opening.**

- Decide the location of the venting pipe from the hood to the outside. Refer to Venting Methods.
- A straight, short vent run will allow the hood to perform more efficiently.
- Try to avoid as many transitions, elbows, and long run as possible. This may reduce the performance of the hood.
- Using 45 degree elbows is better than using 90 degree elbows.
- **IMPORTANT:** Peel white plastic protective coat off the hood, if any.
- Use aluminum tape to seal joints between pipe sections.

**THE HOOD MUST BE TESTED BEFORE INSTALLATION.**

**PLEASE TEST THE RANGE HOOD FOR PROPER OPERATION BEFORE BOXING IT, OR RECESSING IT INTO THE CEILING.**

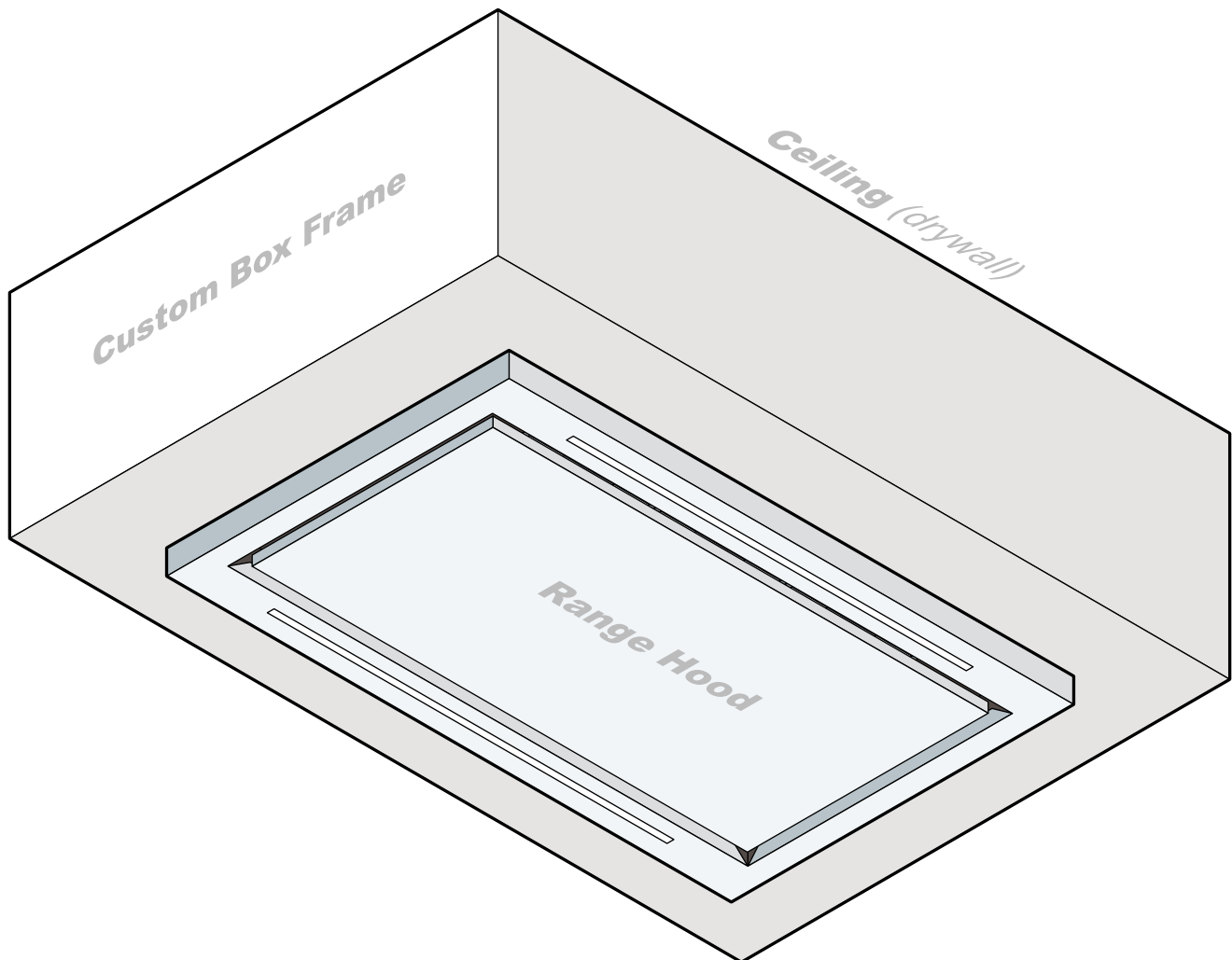
**DO NOT CLOSE THE BOX AROUND THE HOOD UNTIL THE TEST HAS BEEN PERFORMED.**

*Victory Range Hoods Inc. will not be responsible for additional labour costs related to reinstallation of the hood due to transportation internal damage or wiring issues.*

## INSTALLATION OPTIONS

### Drop Ceiling Mount

Using a mounting plate and frame posts to fasten the range hood to the joist supports, and build a cabinet surround, or fabricate a ceiling drop to surround your range hood [Page 17-20] [Page 13 for Rough-In].

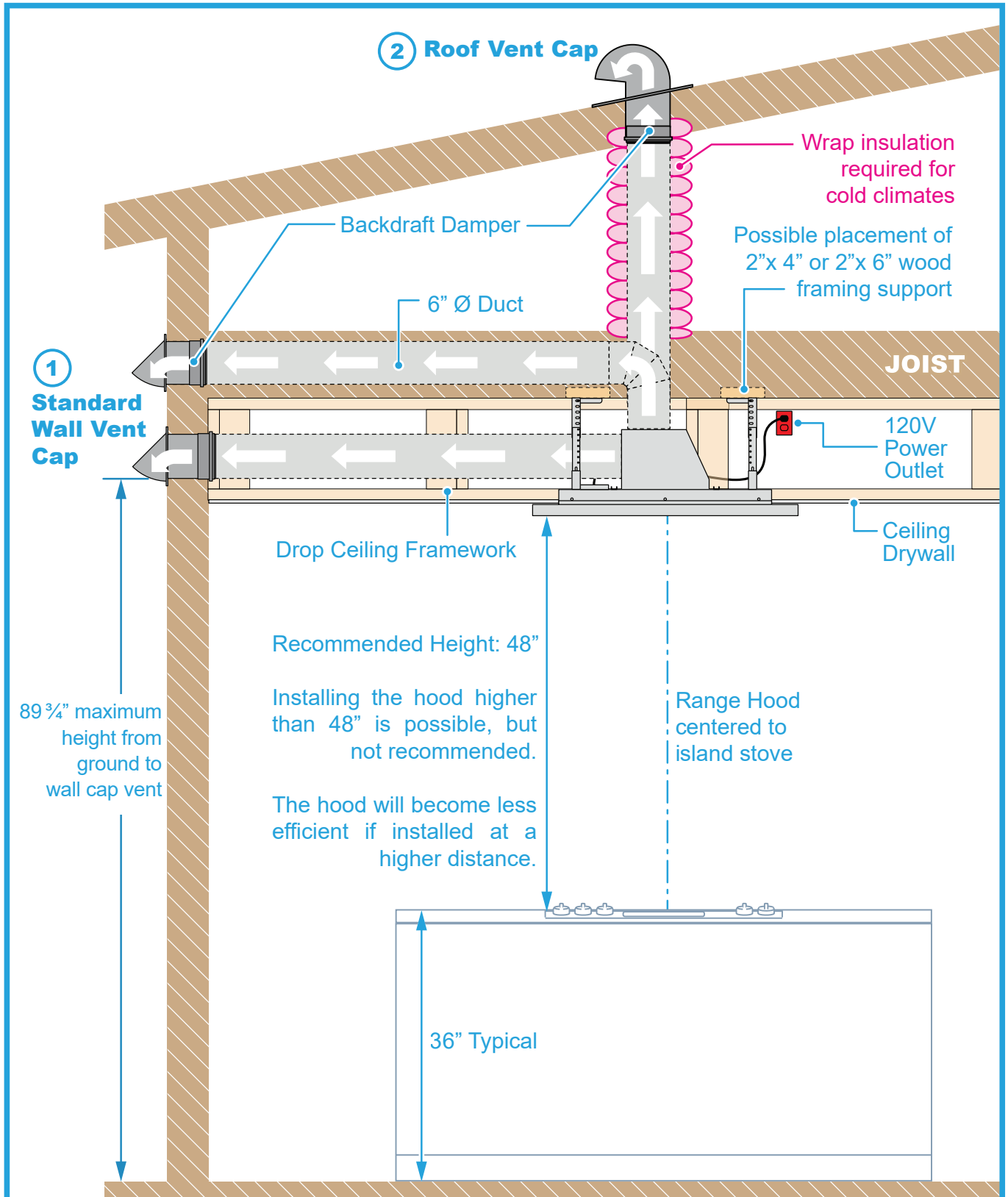


# VENTING METHODS

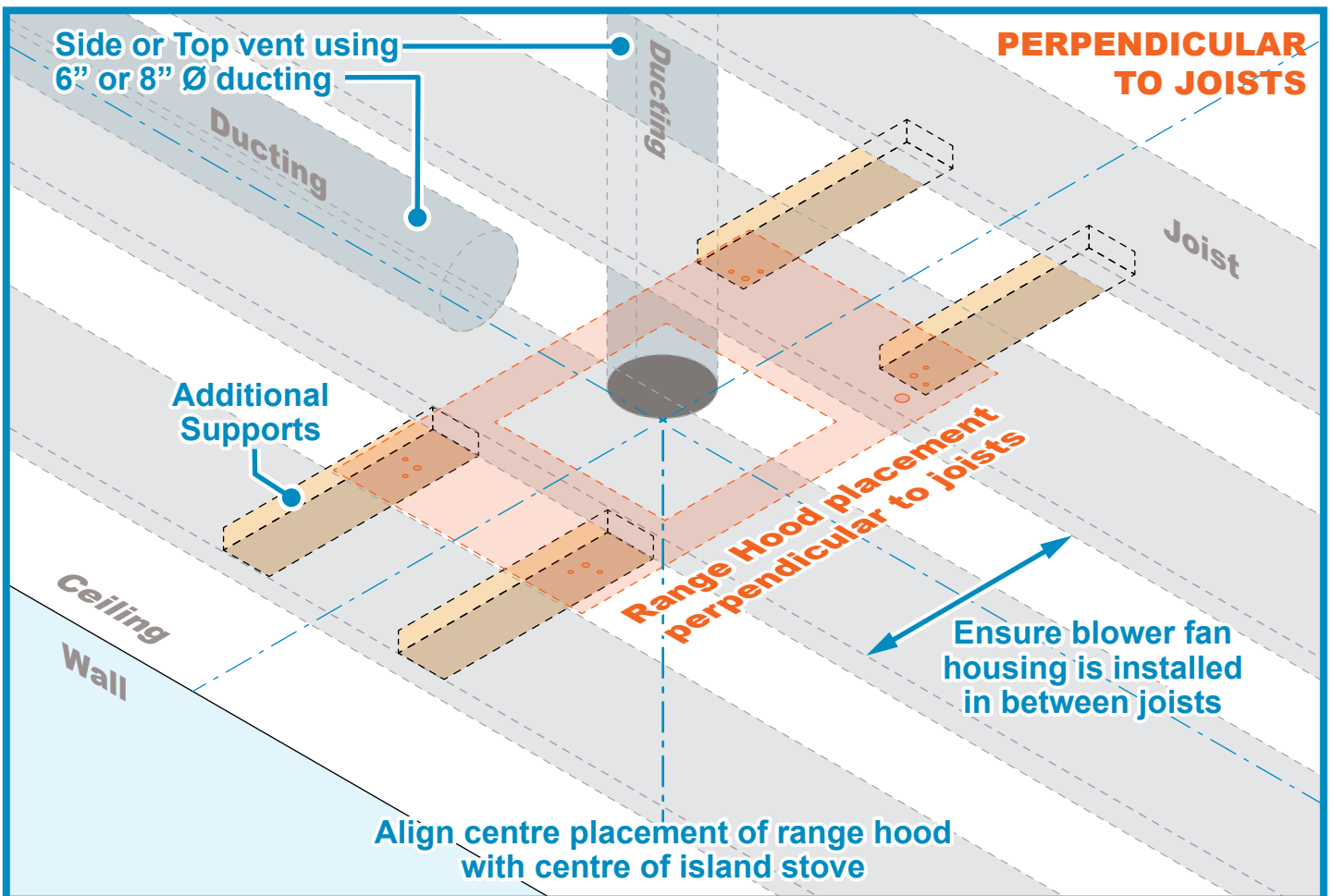
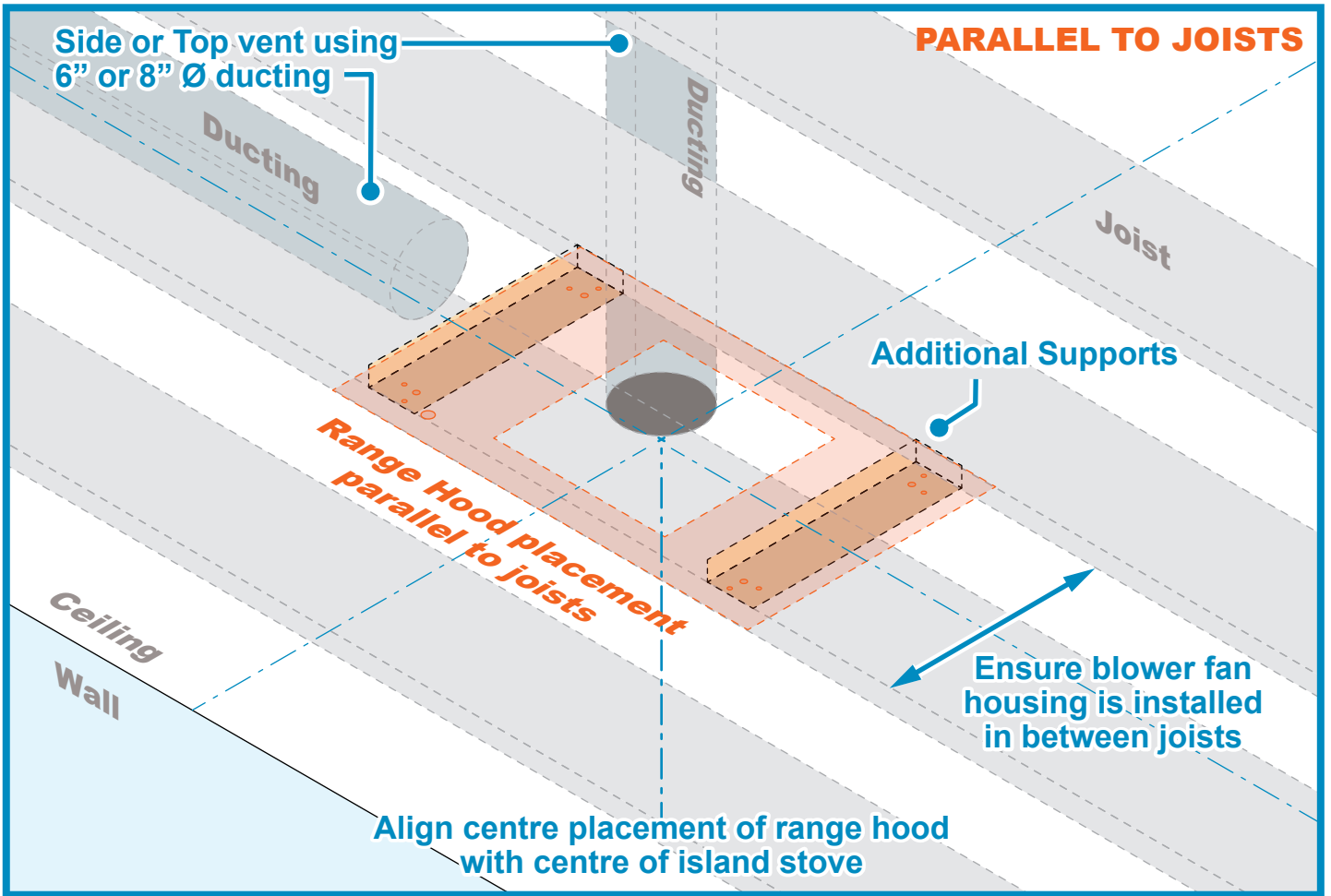
This range hood is factory set for venting through the wall. Vent work can terminate through the wall.

## IMPORTANT:

- NEVER exhaust air or terminate duct work into spaces between walls, crawl spaces, ceiling, attics or garages. All exhaust must be ducted to the outside.
- Use metal/aluminum duct work only.
- Fasten all connections with sheet metal screws and tape all joints with certified Aluminum Tape.
- Use caulking to seal exterior wall or roof opening around the cap.
- If the duct is running through a cold section of the house (attic space), insulation of the duct will be required to prevent condensation (refer to sketch below).

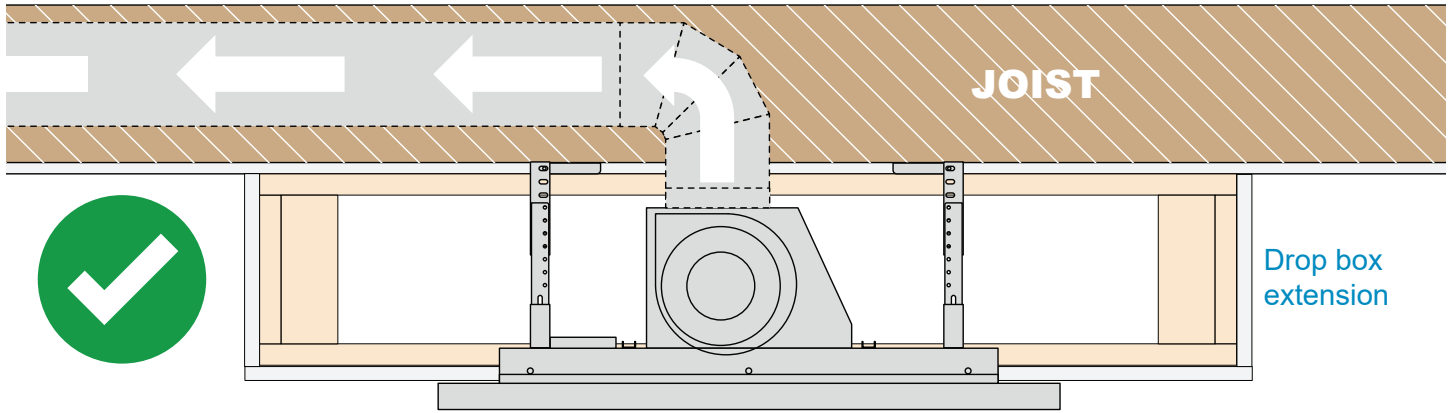


# ROUGH-IN

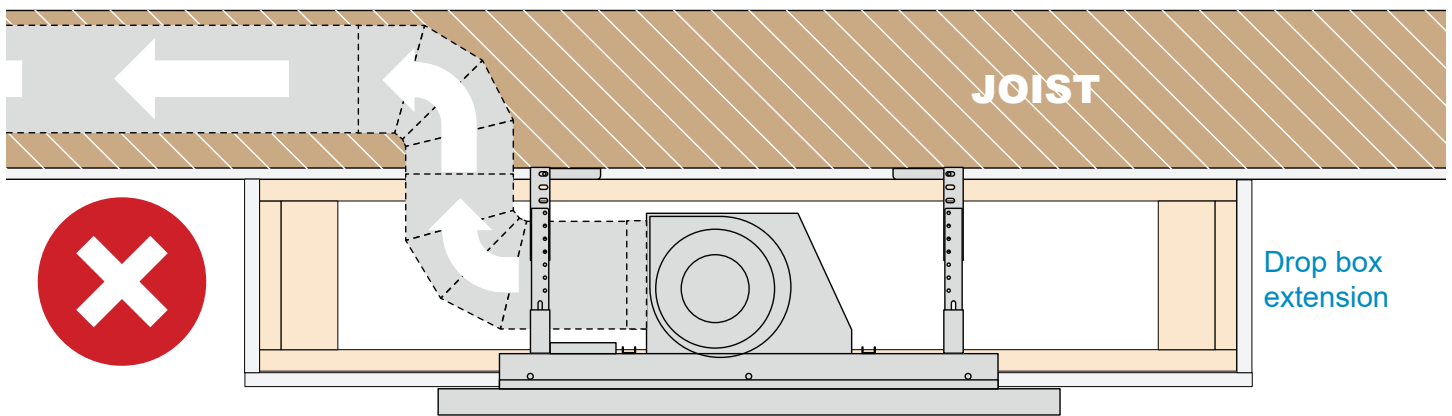


## DO'S AND DON'T'S FOR DUCT VENTING

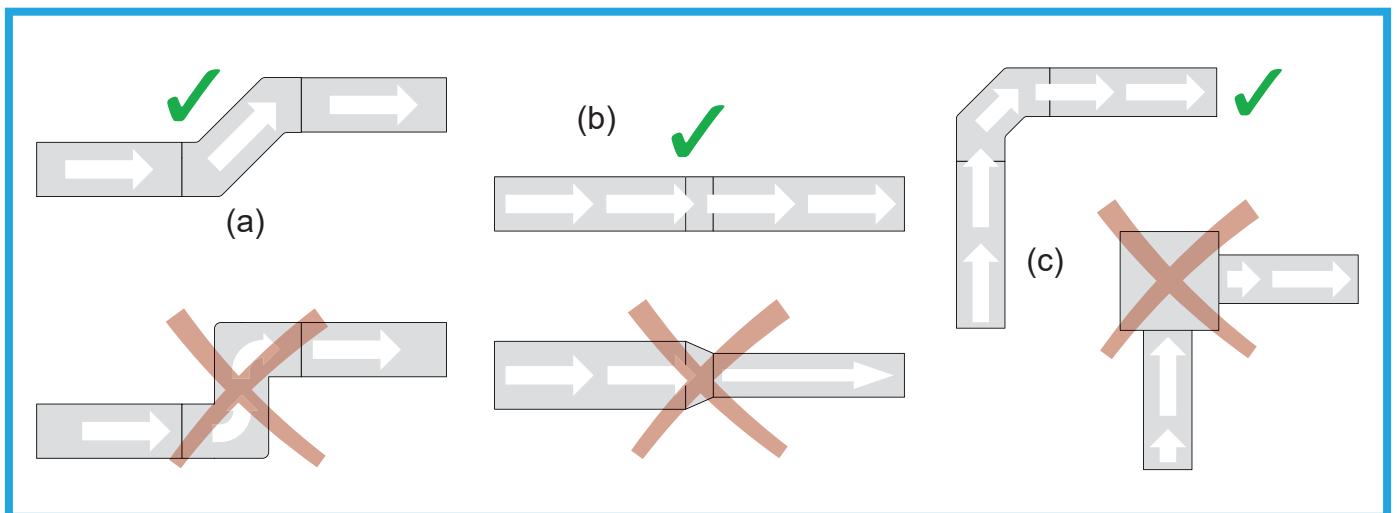
If you choose to use a drop box extension to vent out through your standard wall cap, ensure your exhaust vent is attached from the top opening, and use an elbow joint duct.



**NOTE:** Do NOT exhaust through the side opening to vent in a drop box extension by using dual elbow joint ducts, as this will add friction to air flow and not provide optimum venting directed outside through the wall cap vent. More friction in airflow will also result in increased noise levels.

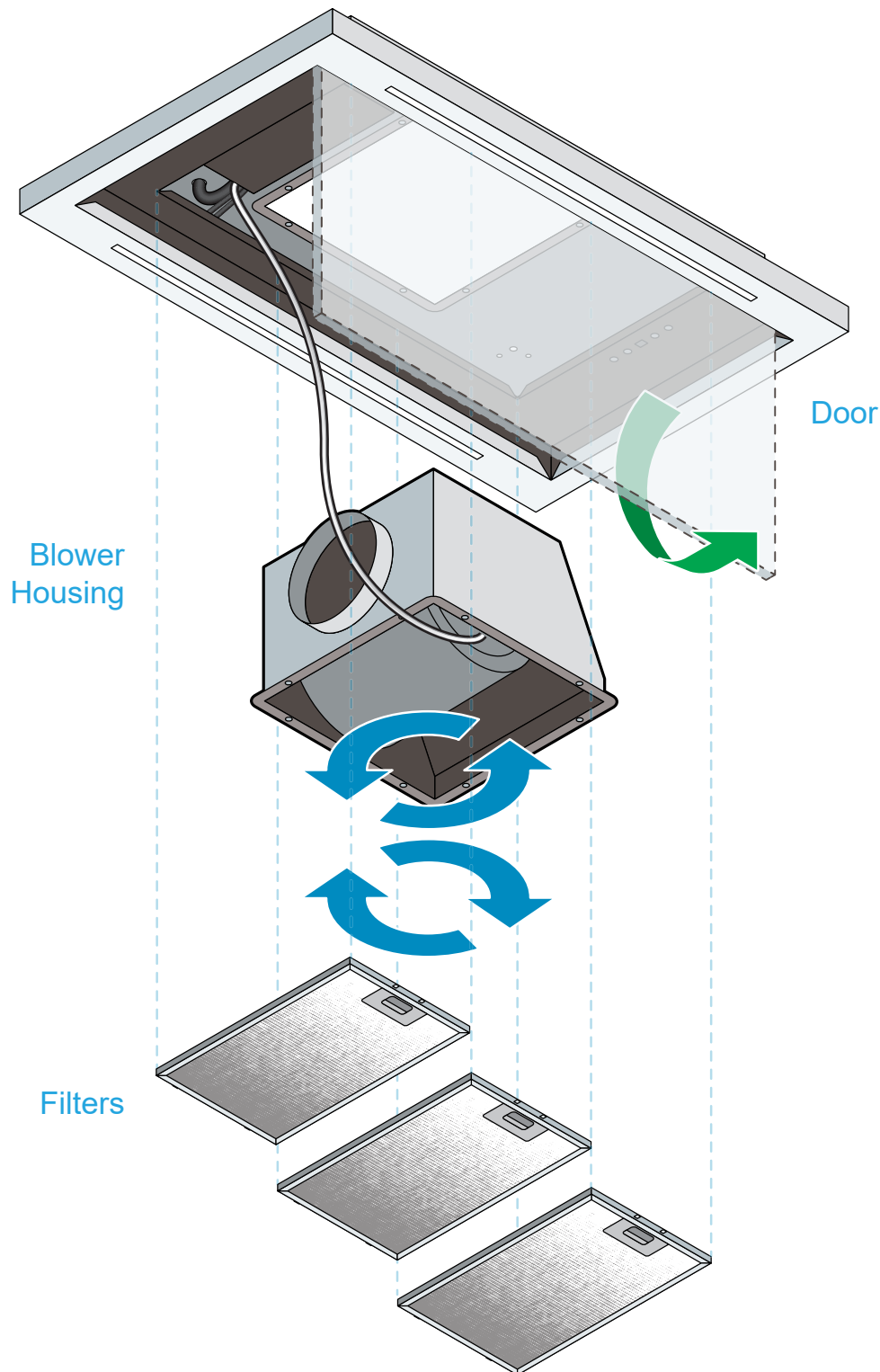


- Avoid the use of sharp elbows. Use 45 degrees instead, if possible.
- DO NOT use REDUCERS. Keep the size of the duct the same, as per the manual. A reducer will reduce the CFM of the hood and increase the noise.
- DO NOT use plenum boxes. Boxes create turbulence and make the hood inefficient. Use a smooth elbow to guide the air outdoors.



## ROTATING BLOWER HOUSING

The Blower and its housing can be removed and rotated to preferred side for venting.



		<b>WARNING</b>	<p>DO NOT perform service on an electrically live system. Disconnect the main electrical supply before servicing this device. Touching electrical connectors or other exposed electrical circuitry inside this range hood when they are energized could result in death, serious bodily injury, or property damage.</p>
<b>Hazard of electrical shock!</b>			

**Be alert of any electrical hazards before connecting to electrical outlet. Check the fan motor and lights are functioning properly before installation.**

# INSTALLATION - DROP CEILING MOUNT

**NOTE: Requiring at least 1-2 persons to assist in this installation.**

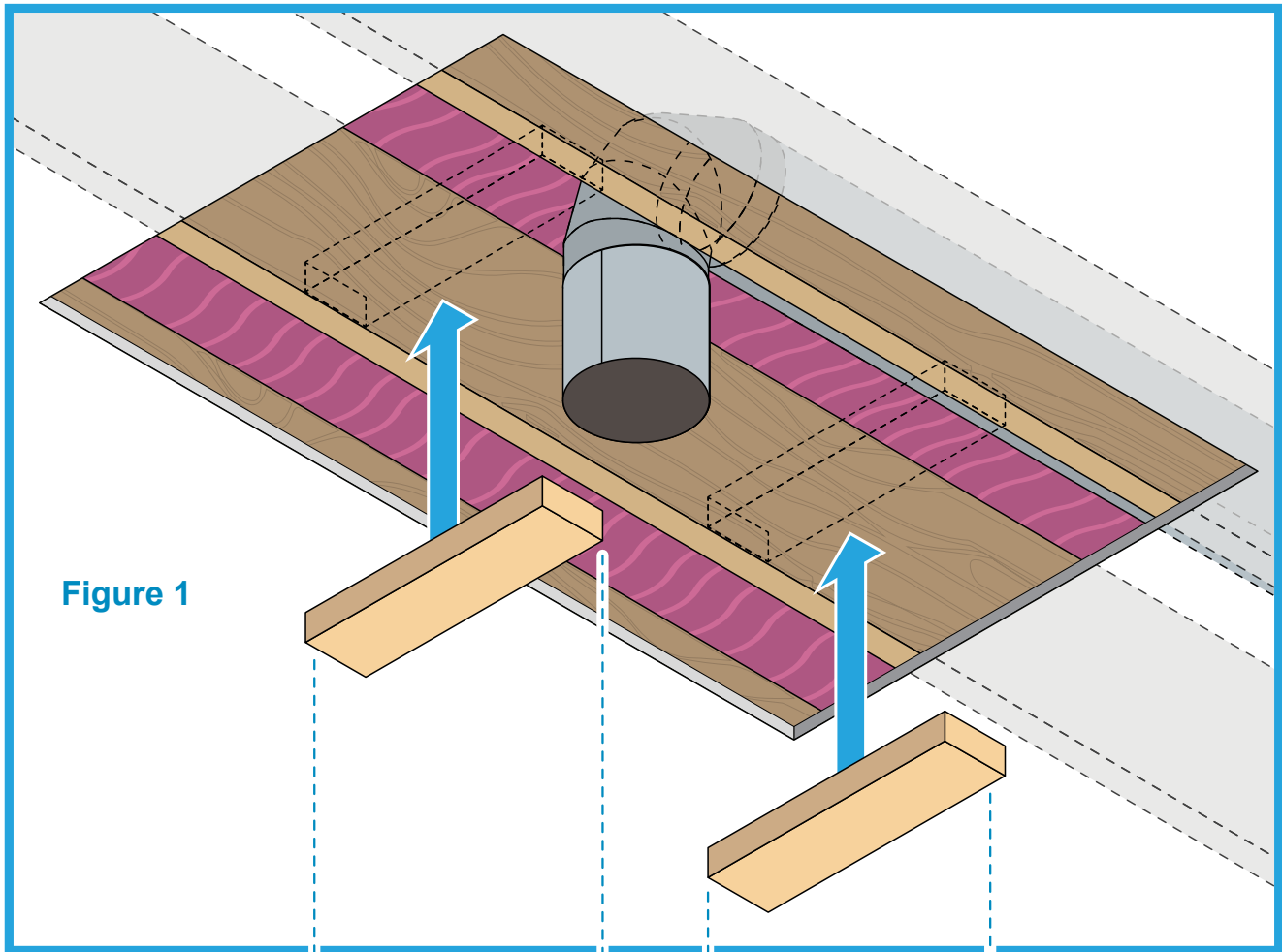
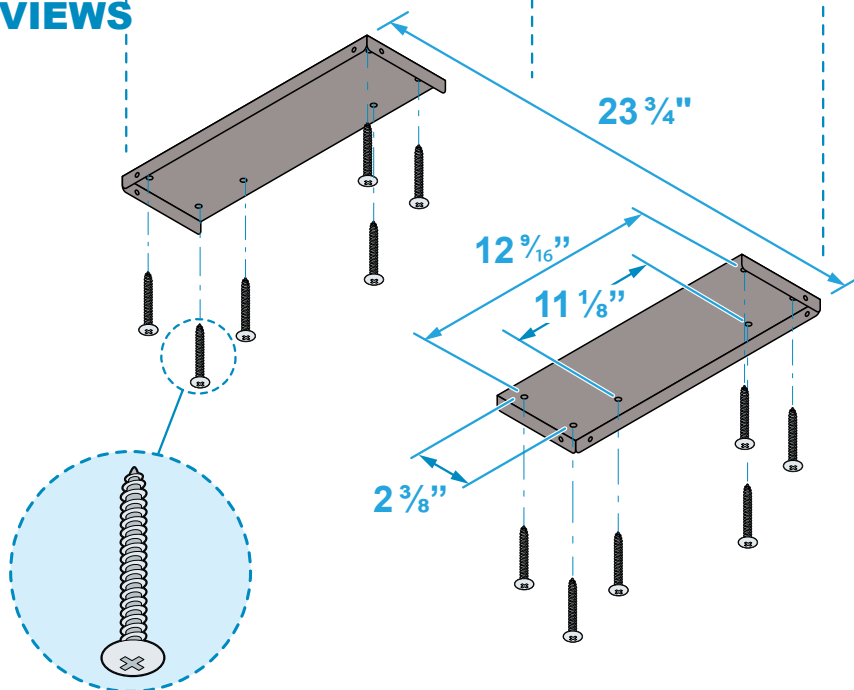


Figure 1

## BOTTOM VIEWS

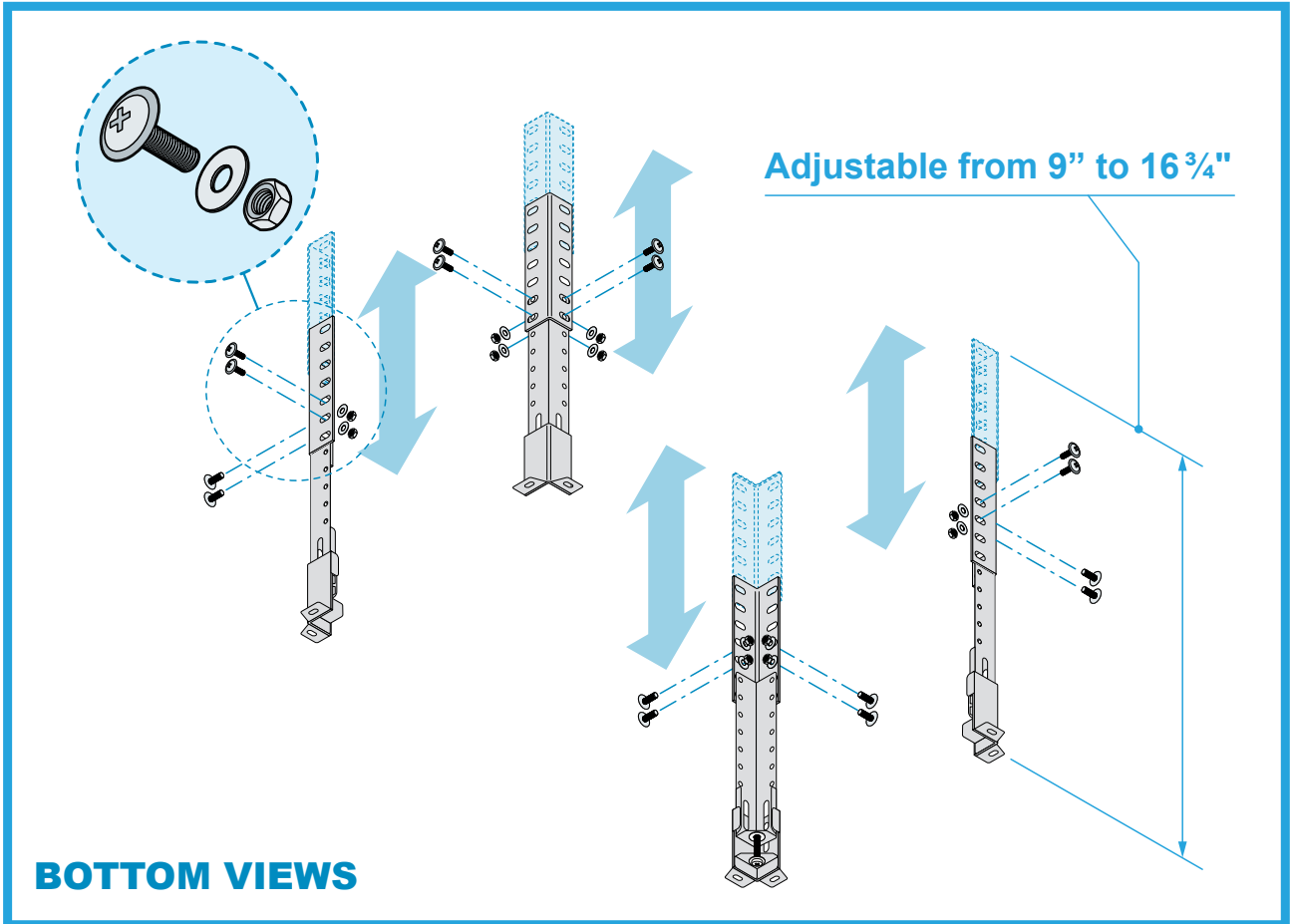
Figure 2



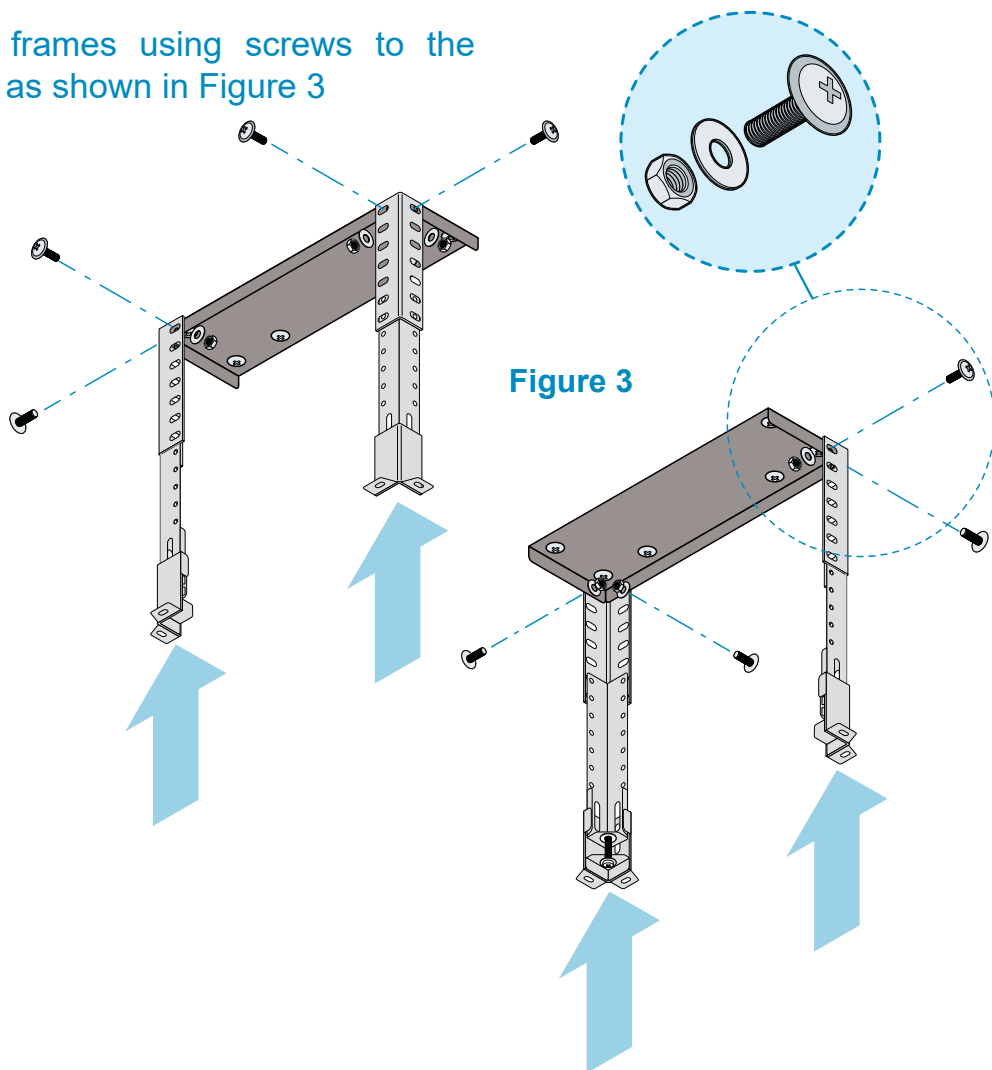
When considering the drop ceiling mount, it is suggested to install additional supports in between the joists (with attention to where the duct placement will be) as shown on Figure 1.

In Figure 2, screw mounting plates to the additional supports identified in the rough-in on page 12.

# INSTALLATION - DROP CEILING MOUNT (Continued)

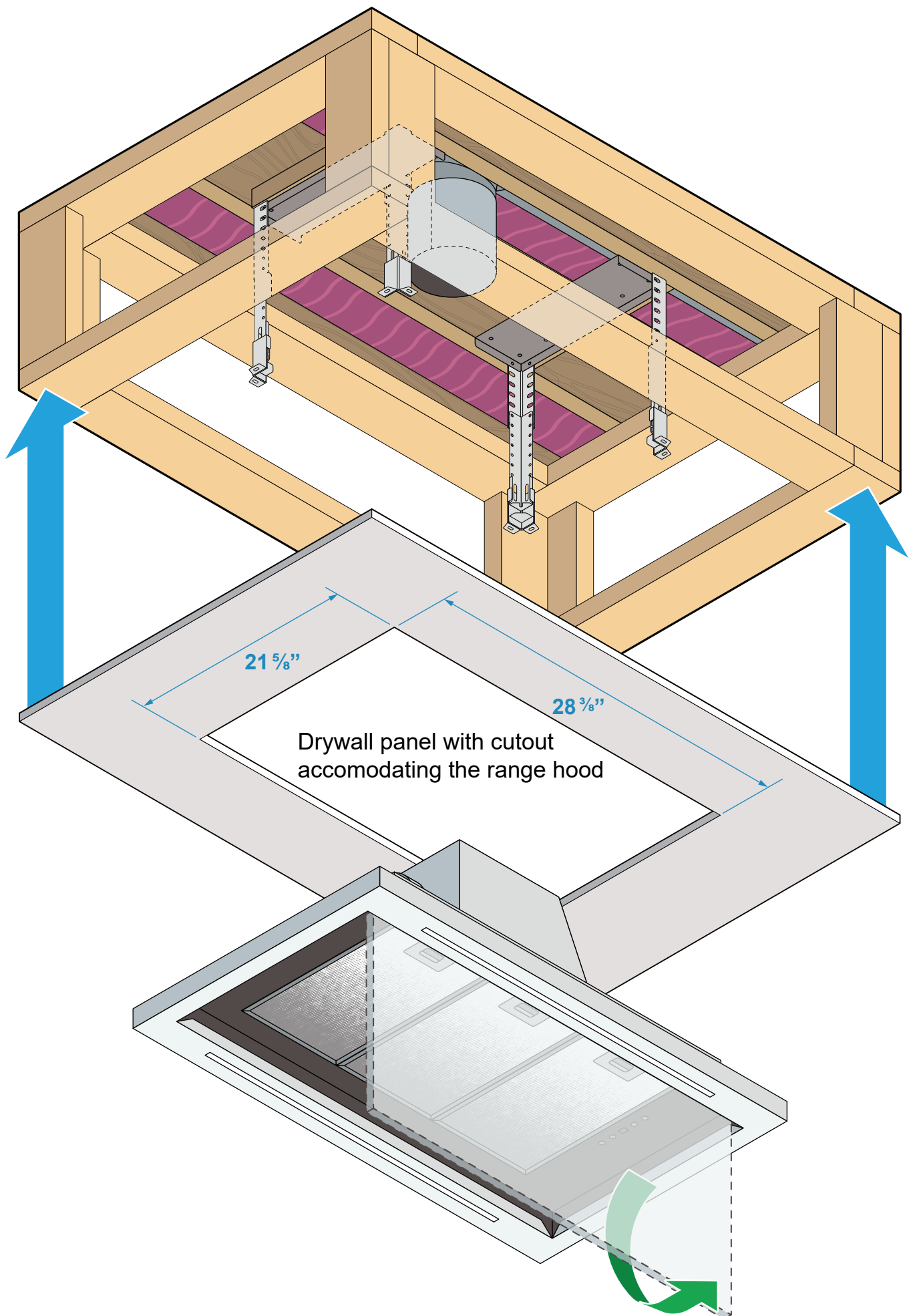


Fasten frames using screws to the mounts as shown in Figure 3

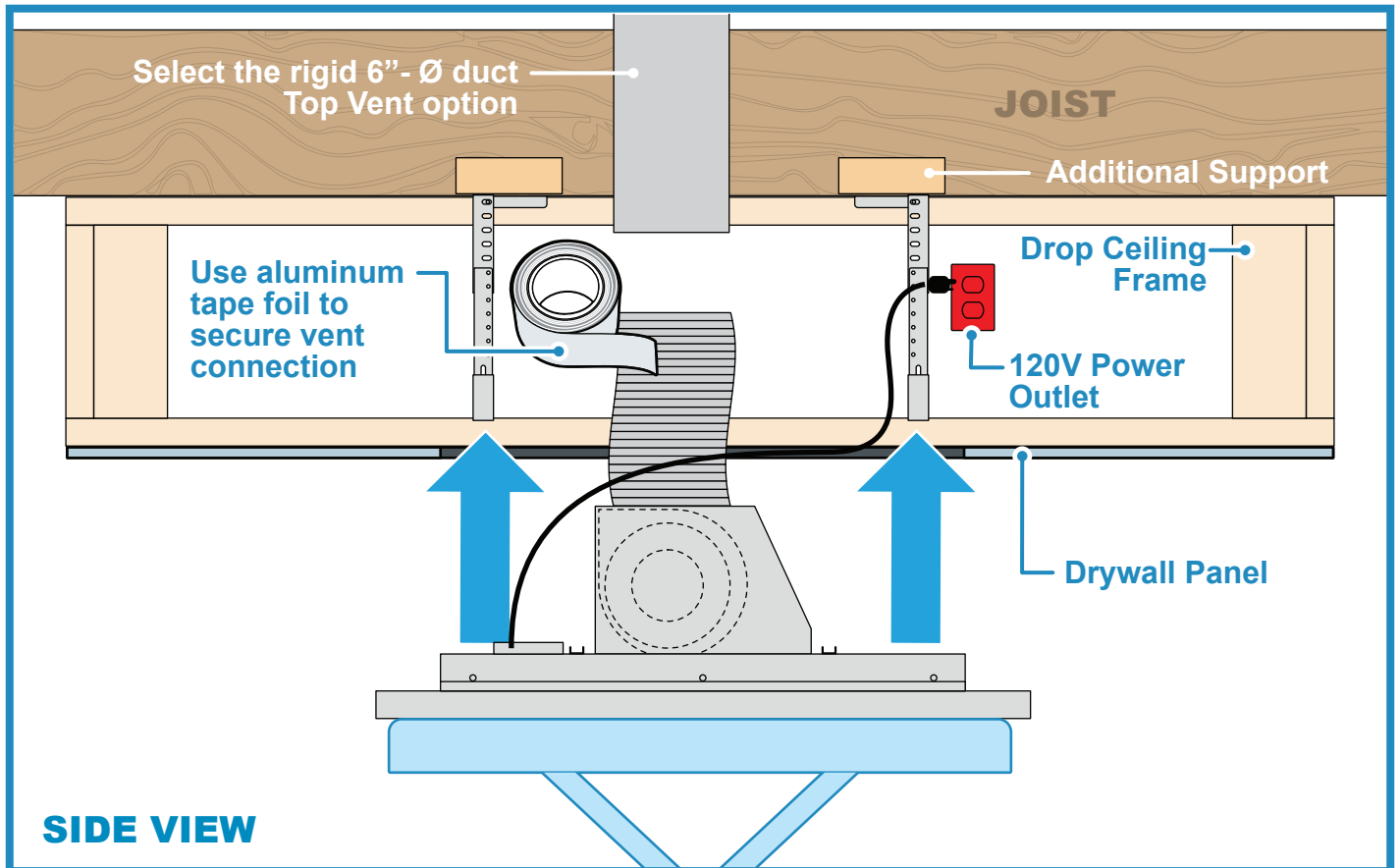


## INSTALLATION - DROP CEILING MOUNT (Continued)

A wooden box needs to be fabricated for the drop ceiling mount.

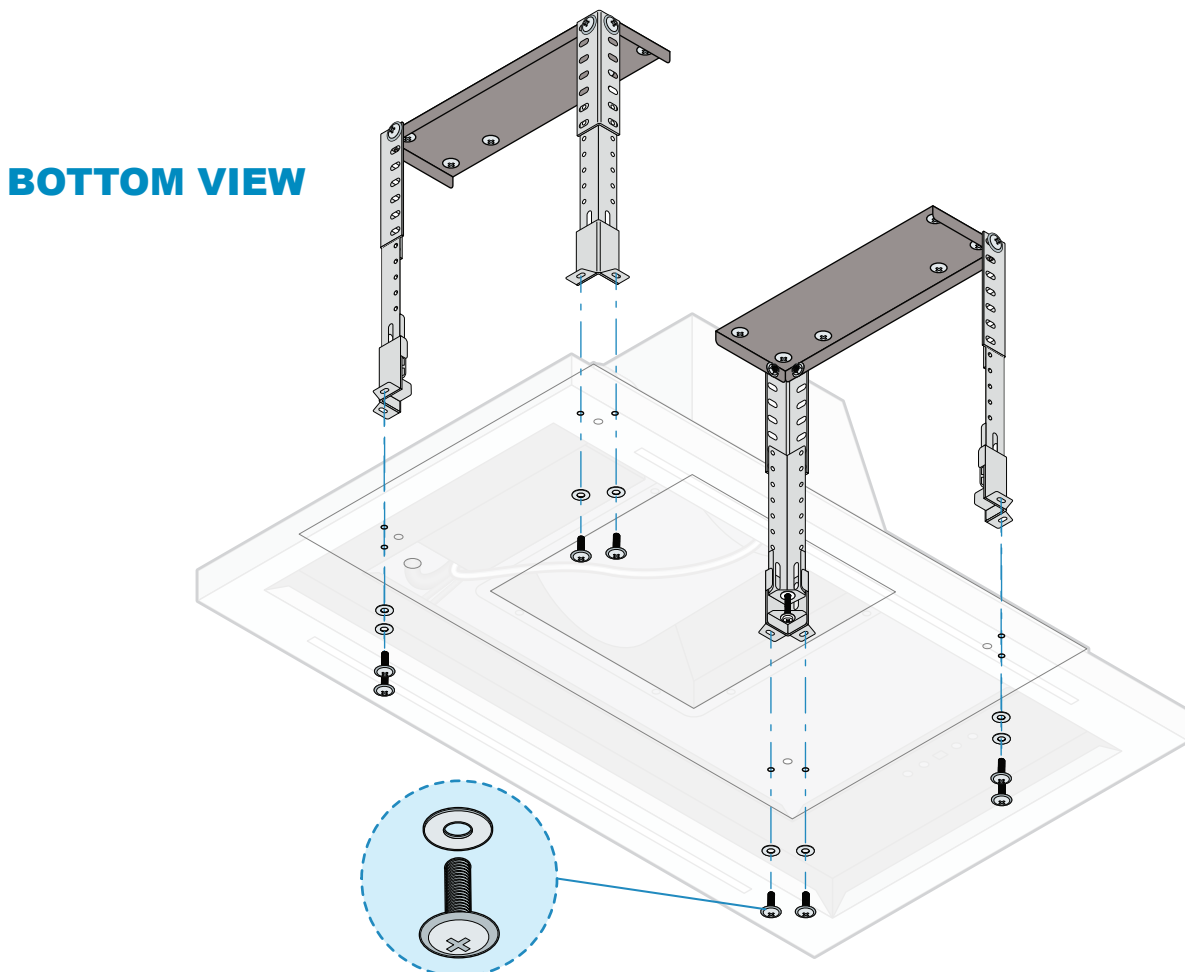


## INSTALLATION - DROP CEILING MOUNT (Continued)



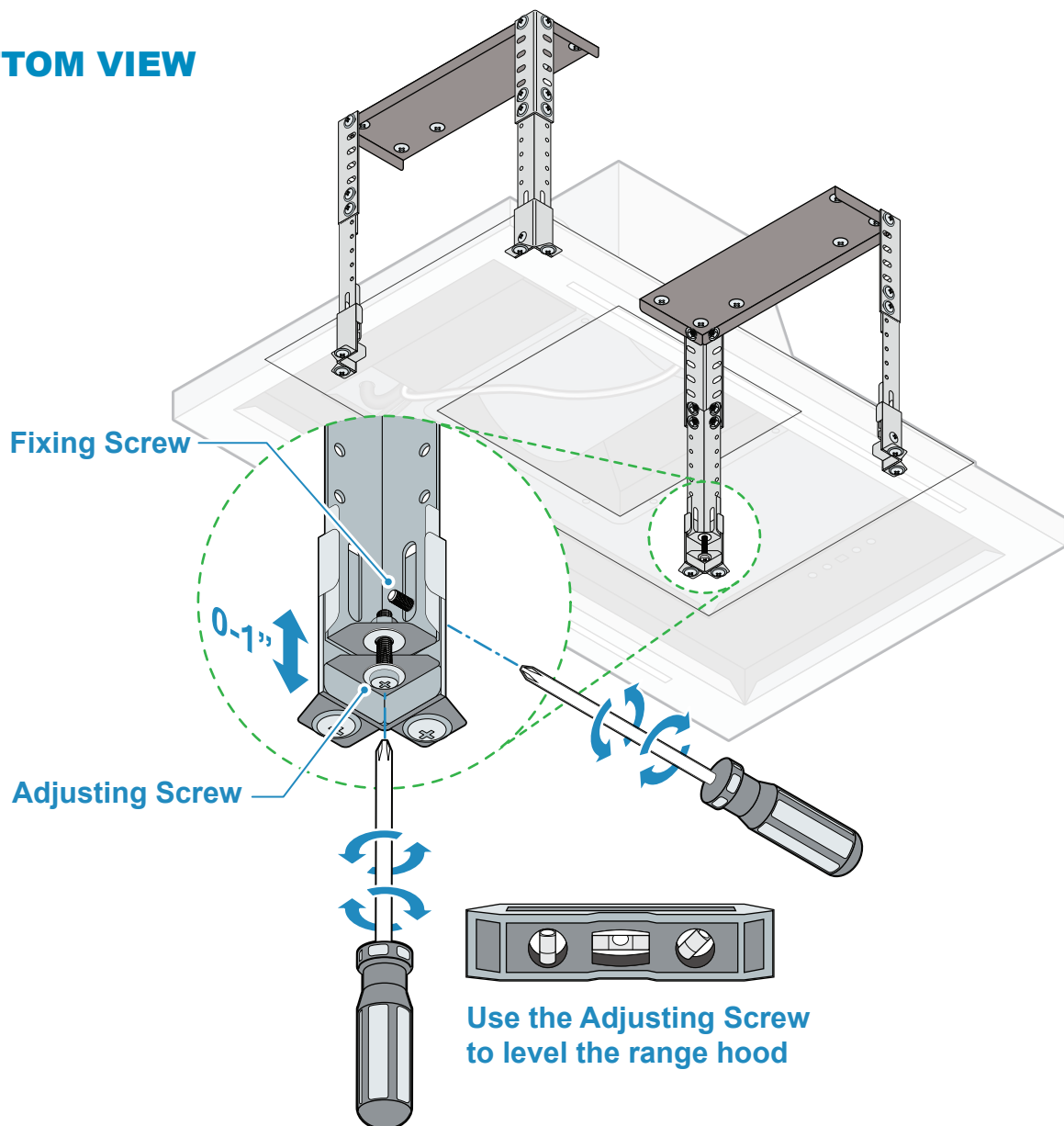
A drop ceiling frame will need to be fabricated to accommodate this option. And a 120V power outlet installed near the mounting site.

Use a raised platform for the range hood as you prepare the flex duct and plug in the power cord. Have someone assist you to lift the range hood as you fasten the screws to secure installation.

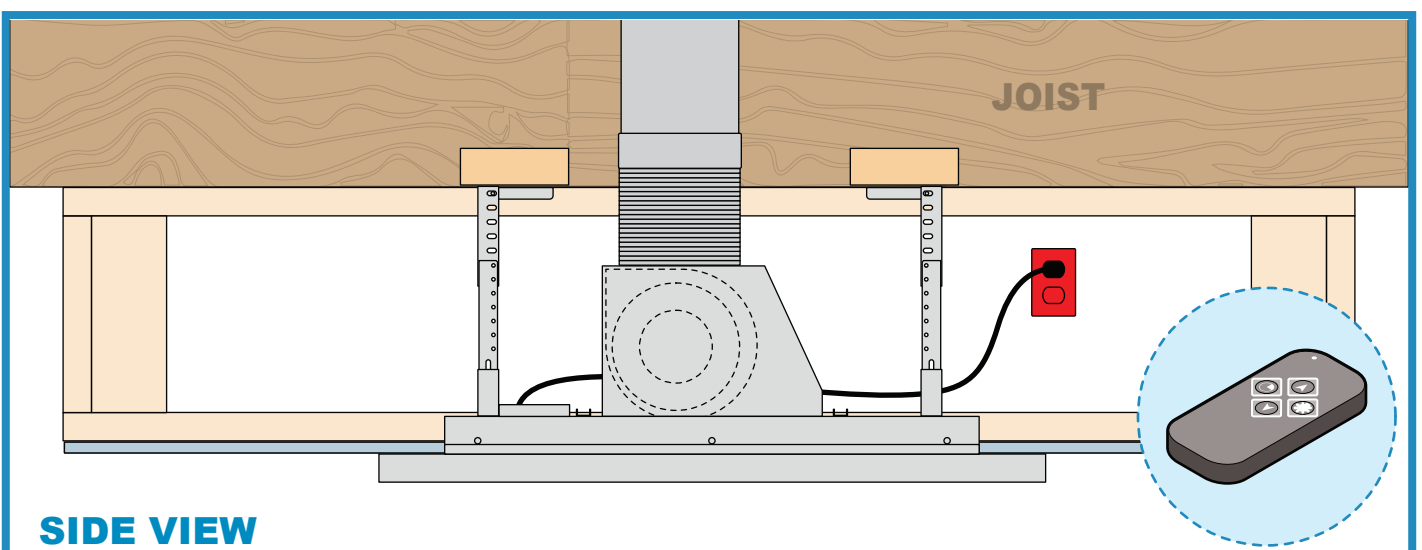


## INSTALLATION - DROP CEILING MOUNT (Continued)

### BOTTOM VIEW

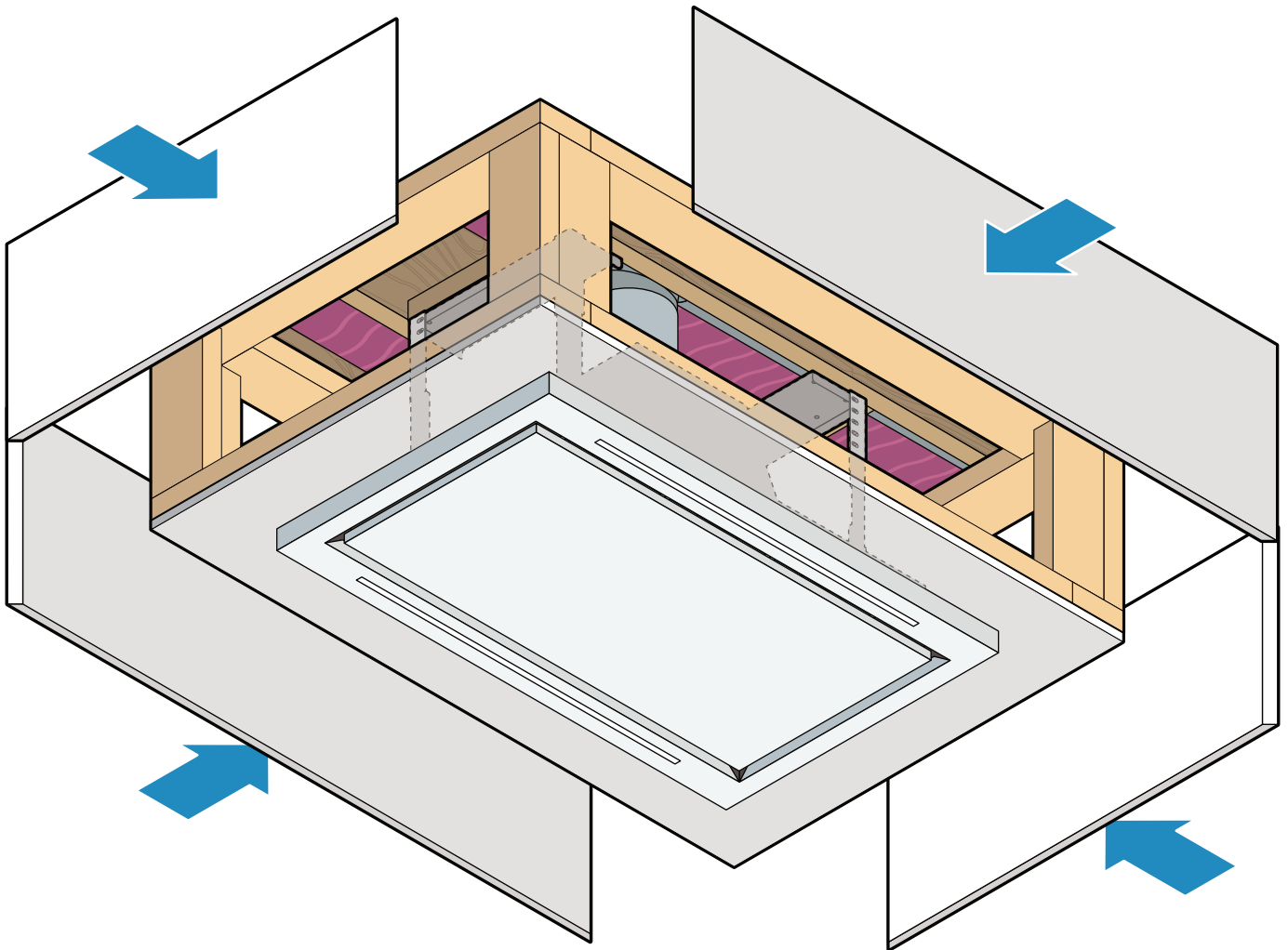


### SIDE VIEW

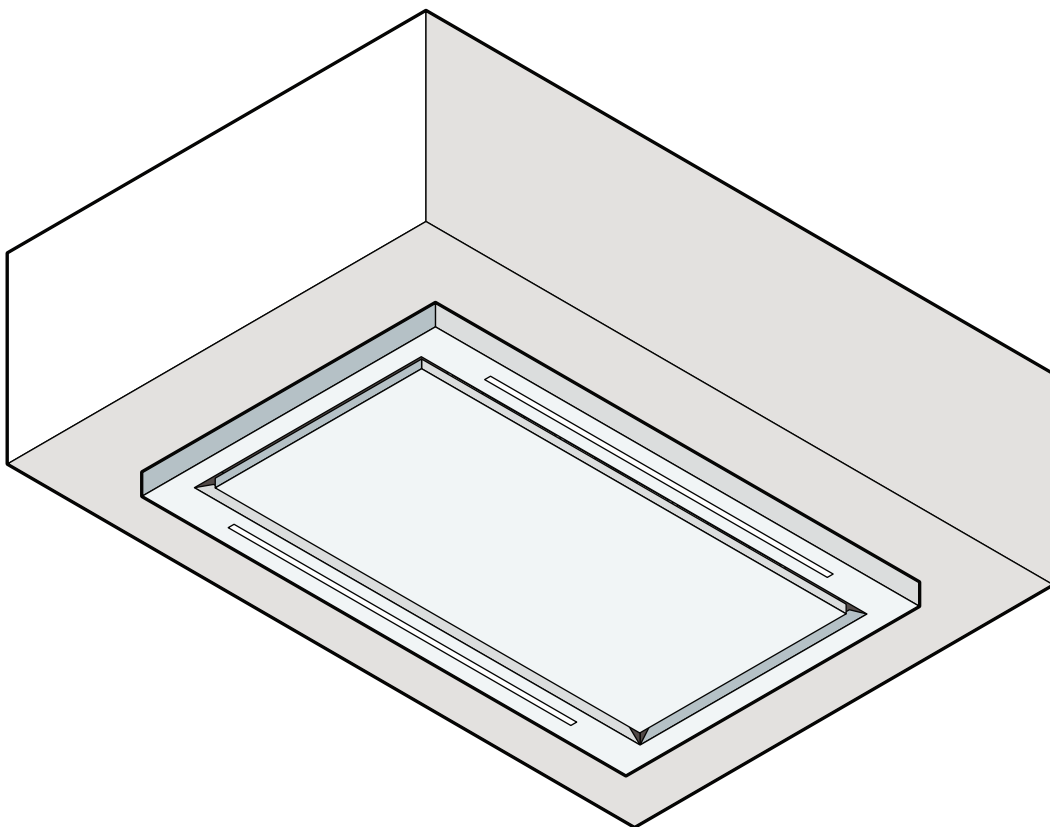


Test functionality of the range hood before enclosing the drop ceiling frame with side paneling. Refer to page 24 for range hood operations.

## INSTALLATION - DROP CEILING MOUNT (Continued)

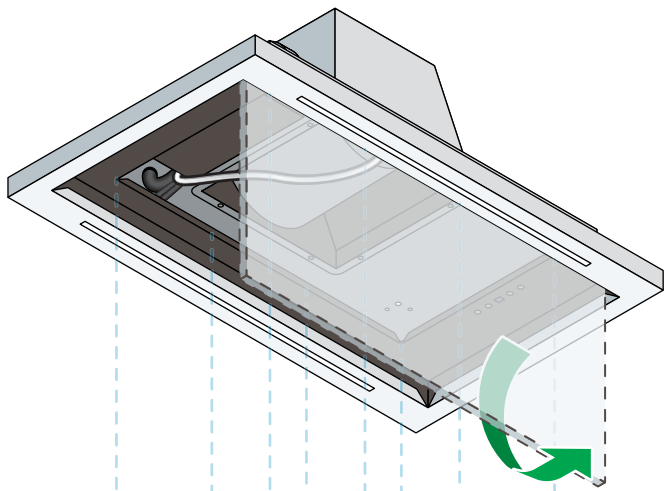


**BOTTOM VIEWS**



# FILTERS

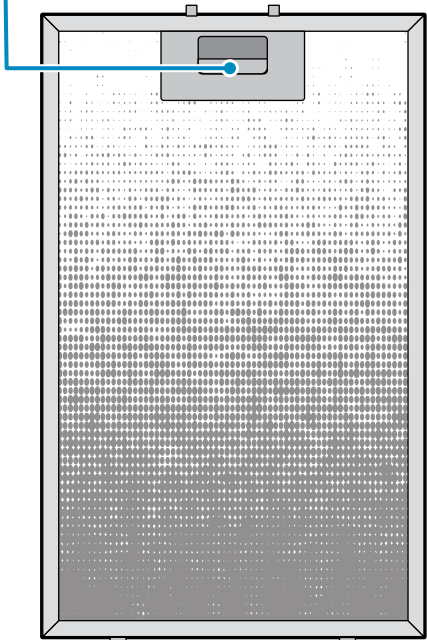
**BOTTOM VIEW**



**Mesh Filters**

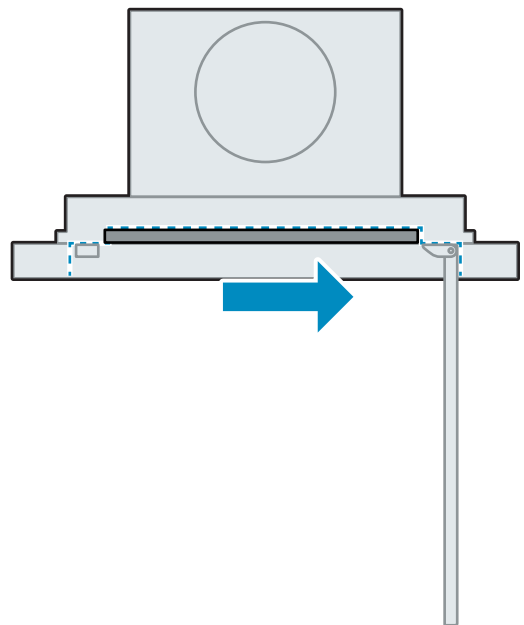
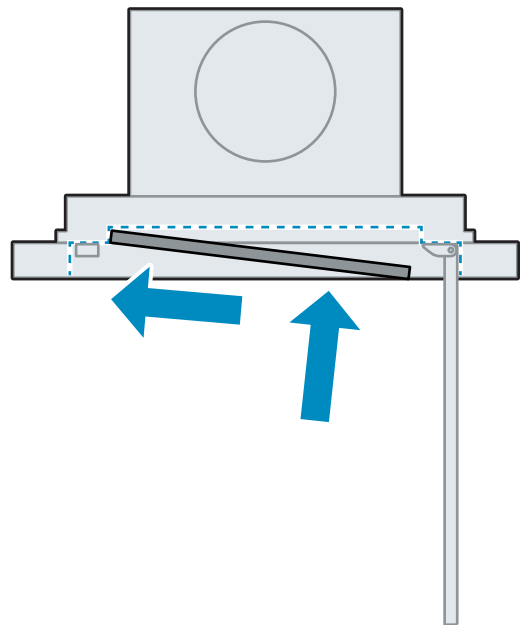
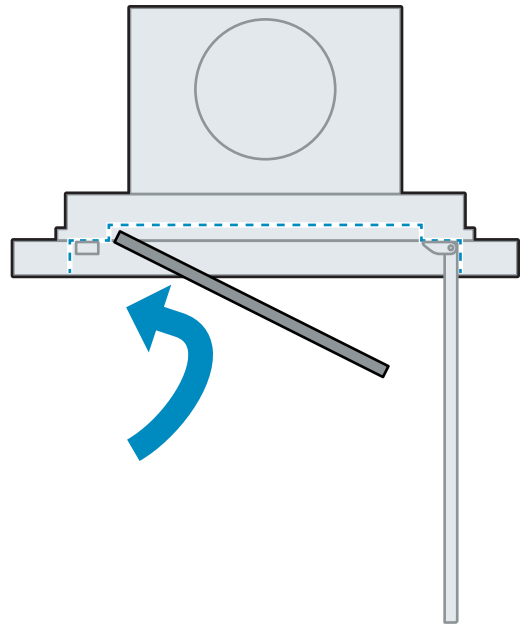
**Retractable Tabs**

**Push Lever**



**Tab Inserts**

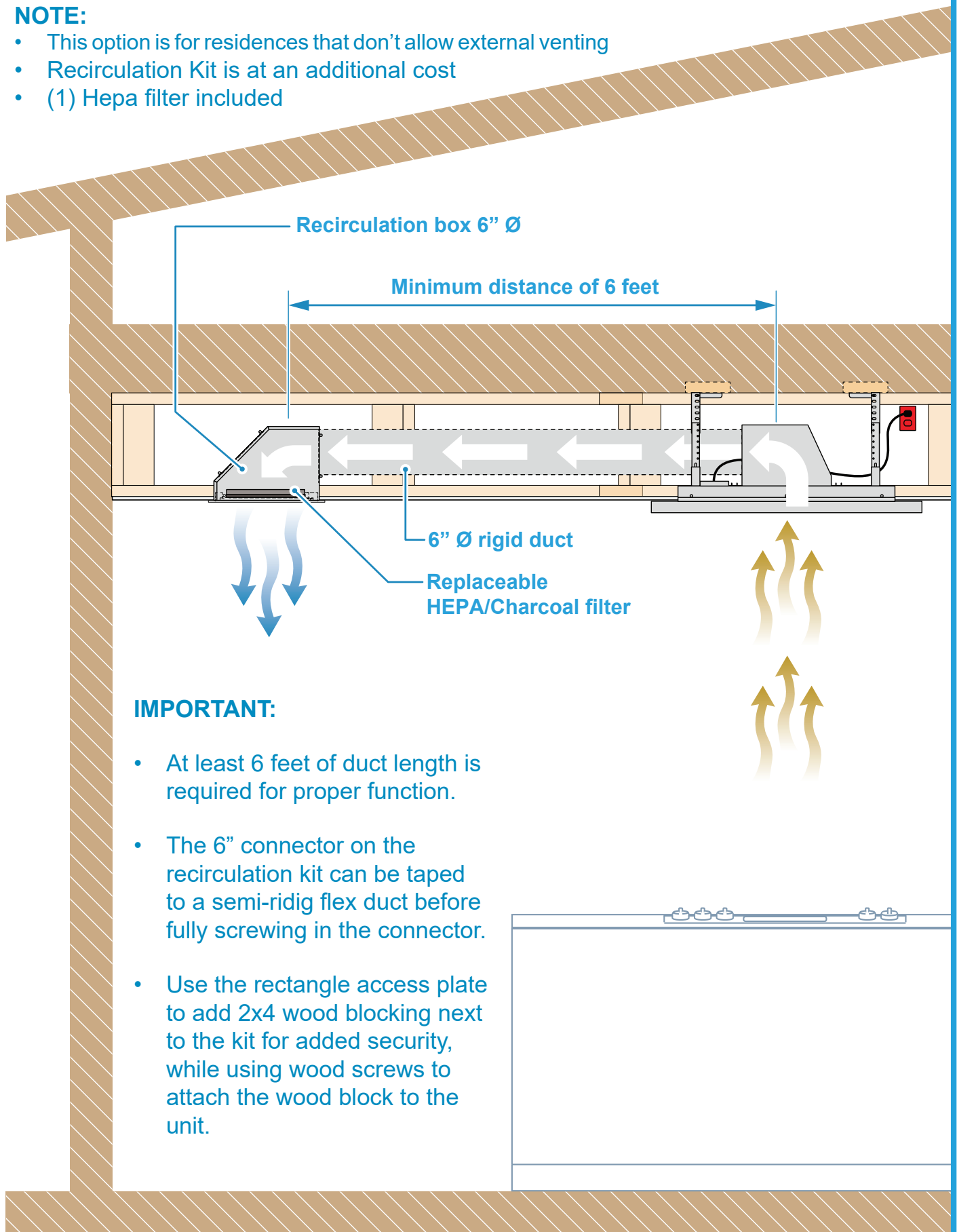
**SIDE VIEW**



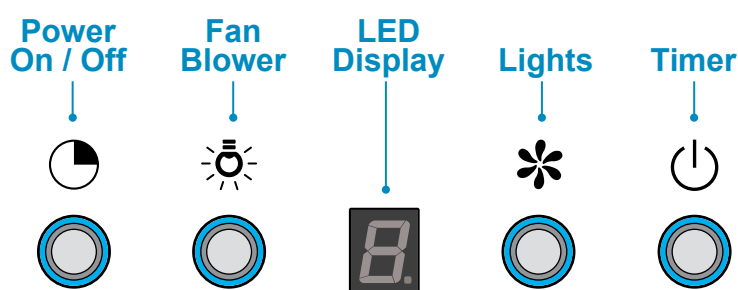
## RECIRCULATION KIT OPTION

### NOTE:

- This option is for residences that don't allow external venting
- Recirculation Kit is at an additional cost
- (1) Hepa filter included



## RANGE HOOD OPERATIONS



### CONTROL PANEL

1. Press the “Power” button to turn ON and OFF the range hood unit.
2. Press the “Fan Blower” button to change the fan speed to low/med/high. The LED Display will indicate as 1, 2, 3
3. Press “Light” button to turn ON and OFF the lights. The Light button works independently from the “Power” button.
4. When the range hood unit is turned on, you may use the “Timer” button. When pressed/activated there will be 9 minutes to count down for the unit to turn off the fan blower and the lights. The LED Display will show the designated 9 minutes and count down in increments of a minute (i.e. 9...8...7...6...). You may press the timer button again to disable the timer.

### Connecting the remote control

The Remote Control your range hood comes with should already be paired, and may activate operation of the range hood.

1. Should your remote control not be activating operation of your range hood, you may consider either the following:
  - Battery in remote control may need replacing
  - Reset the connection to remote control
2. Should the remote control need re-connecting, unplug/disconnect from the power outlet, and plug back to the power outlet. Within 15 seconds after plugging in to the power outlet, press and hold the Power button for 5 seconds. The indicators light begin flashing from one button to another, and the unit is in connection mode. Press any button on the **Remote Control** to confirm the connection.

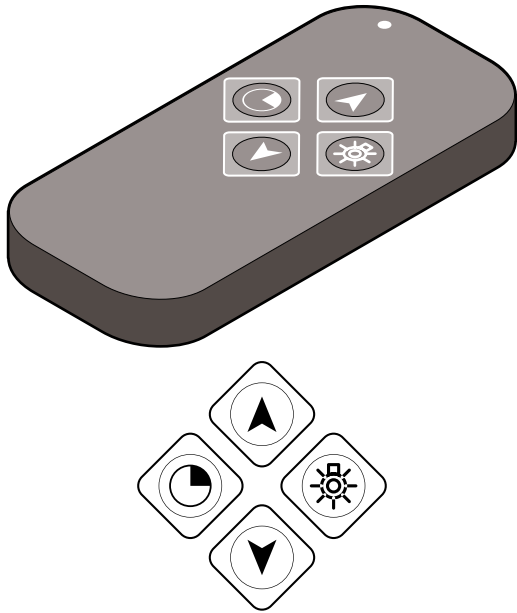
### Resetting your connection to the remote control (clear code)

1. Unplug/disconnect from the power outlet, and plug back to the power outlet. Within 15 seconds after plugging in to the power outlet, press and hold the Power button for 5 seconds. The indicators light begin flashing from one button to another, and the unit is in connection mode.
2. Press the Power button again for 5 seconds and the previous code will be cleared. Repeat “Connecting the remote control” instructions.

## RANGE HOOD OPERATIONS (Continued)

### REMOTE CONTROL

*\*The remote control may slightly vary*



### Motor On/Off:

- To turn on the fan of the range hood click the up-arrow on the remote control. The unit has 3 speeds. Click the up-arrow to increase speed, or click the down-arrow to decrease the speed. To turn off the fan click the down-arrow until the motor turns off.

### Lights On/Off:

- To turn on the lights of the range hood, click the light button on the remote control. The unit has 2 LED light strips (not dimmable).

### Timer:

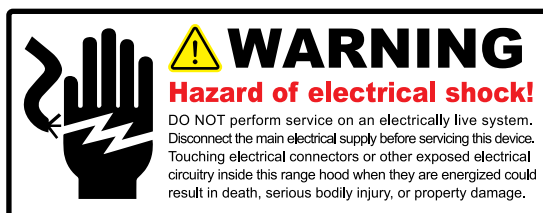
- To operate the timer, first turn on the range hood from the remote control by pressing the up-arrow. Next, use the remote control and press the timer button. This will activate the 9 minute timer function.



### BATTERY WARNING FOR REMOTE CONTROL

- Always ensure the battery compartment in devices is secure and child-resistant.
- Keep out of reach of children. Swallowing coin/button cell battery may cause serious injury or death within 2 hours due to internal chemical burns.
- If swallowed, seek medical attention immediately. Call emergency services or a poison control center.
- Do not recharge, disassemble, heat above 60°C (140°F), or incinerate. May explode or leak if misused.
- Do not crush or puncture. Risk of fire, explosion, or chemical burn. Store in a cool, dry place away from metal objects or conductive materials.
- Insert battery correctly, observing + and – polarity markings.
- Do not dispose of in fire or household trash.
- Recycle or dispose of according to local regulations for lithium batteries.
- Many retailers and recycling centers accept coin cell batteries.

## TROUBLESHOOTING



1. If the range hood or lights do not operate after installation:
  - Check if the range hood has been plugged in, make sure that all power has been turned back ON, and all electrical wiring are properly connected.
2. One light is not working.
  - **Contact Victory Range Hoods for assistance to** to determine whether it is caused by defective LED strip.
3. The range hood vibrates when the blower is on:
  - The range hood might not have been secured properly on to the ceiling or wall.
  - The impeller may be out of balance.
4. The blower or fan seems weak:
  - Duct is too small. Range hood WILL NOT function efficiently with insufficient duct size. For example: Connecting this hood to 4" or 5" duct will reduce the suction and create extra noise and vibrations. Check if duct is clogged or if damper unit is not installed correctly or opening properly. A tight mesh on a side wall cap unit might also cause restriction to the air flow.
5. The lights work but the blower is not spinning at all, is stuck or is rattling.
  - The blower might be jammed or scraping the bottom due to shipping damage. Please contact us immediately.
6. The hood is not venting out properly:
  - Make sure the distance between the stove top and the bottom of the hood is within 48" in distance. Installing the hood higher than 48" is possible, but not recommended. The hood will become less efficient if installed at a higher distance.
  - Reduce the number of elbows and length of duct work. Check if all joints are properly connected, sealed, and taped.
  - Make sure the power is on high speed for heavy cooking.
  - The duct size must be 6", or larger. Please make sure there are NO reducers or plenums in the duct work.
  - **Refer to DO'S and DON'TS for DUCT VENTING page for illustrative examples on page 14.**

**NOTE:** For all other inquiries, please contact Victory Range Hoods.

# MAINTENANCE

## Operations:

- Read and understand all instructions and warnings in this manual before operating the appliance. Save these instructions for future reference.
- Always leave safety grills and filters in place. Without these components, operating blowers could catch on to hair, fingers and loose clothing.
- NEVER dispose cigarette ashes, ignitable substances, or any foreign objects into blowers.
- NEVER leave cooking unattended. When frying, oil in the pan can easily overheat and catch fire. The risk of self combustion is higher when the oil has been used several times.
- NEVER cook on “open” flames under the range hood. Check deep-fryers during use: Superheated oil may be flammable.
- The saturation of greasy residue in the blower and filters may cause increased inflammability. Keep unit clean and free of grease and residue build-up at all times to prevent possible fires.
- Filters must be cleaned periodically and free from accumulation of cooking residue. Old and worn filters must be replaced immediately.
- **DO NOT operate blowers when filters are removed. Never disassemble parts to clean without proper instructions. Disassembly is recommended to be performed by qualified personnel only. Read and understand all instructions and warnings in this manual before proceeding.**
- **SAFETY WARNING: Never put your hand into area housing the fan while the fan is operating!**

## Cleaning Exterior surfaces:

- Clean periodically with stainless steel cleaner and clean cotton cloth. Do not use corrosive or abrasive detergent (e.g. Comet Power Scrub®, EZ-Off® oven cleaner), or steel wool/scoring pads, which will scratch and damage the stainless steel surface. For heavier oil use liquid degrease such as “Formula 409®” or “Fantastic®” brand cleaner.
- If the hood looks splotchy (stainless steel hood), use a stainless steel cleaner to clean the surface of the hood. Avoid getting cleaning solution onto or into the control panel. Follow directions of the stainless steel cleaner. CAUTION: Do not leave on too long as this may cause damage to the hood finish. Use a soft towel to wipe off the cleaning solution, gently rub off any stubborn spots. Use a dry soft towel to dry the hood.
- After cleaning, you may use non abrasive stainless steel polish such as 3M® or ZEP®, to polish and buff out the stainless luster and grain. Always scrub lightly, a with clean cotton cloth, and with the grain.
- DO NOT allow deposits to accumulate or remain on the hood.
- DO NOT use ordinary steel wool or steel brushes. Small bits of steel may adhere to the surface and cause rusting.
- DO NOT allow salt solutions, disinfectants, bleaches, or cleaning compounds to remain in contact with stainless steel for extended periods. Many of these compounds contain chemicals, which may be harmful. Rinse with water after exposure and wipe dry with a clean cloth.

## Cleaning Aluminum Grease Filter:

- Filters should be cleaned after every 30 hours of use.
- **Aluminum filters are NOT dishwasher safe.** Spray “Formula 409®” or equivalent degreasing detergent and leave to soak if very dirty. Dry the filters and re-install before using the hood.

## Replacing Filters:

- Should filters wear out due to age and prolonged use, please contact Victory Range Hoods to order replacement filters.

## Replacing the LED light strip:

- This range hood uses LED light strips (please refer to the actual specification of the hood purchased):  
USA/Canada: LED 2 x 10W 12v
- Make sure the range hood is unplugged or turn OFF breaker.
- **Contact Victory Range Hoods for assistance to replace LED strip(s).**
- Turn ON breaker and range hood to test for operation.

**NOTE:** For all other inquiries, please contact Victory Range Hoods.

# WARRANTY

## **TO OBTAIN SERVICE UNDER WARRANTY:**

**You must present proof of original purchase date.**

*Please provide an original dated proof of purchase (sales receipt / invoice)  
in order to obtain service under warranty.*

### **Five Year Parts Warranty:**

For five years from the date of original purchase, Victory Range Hoods will provide free of charge, non-consumable replacement parts or components that failed due to manufacturing defects. Subject to the conditions and limitations set forth below, Victory Range Hoods will replace any part of its products that prove defective by reason of improper workmanship or materials. Replacement parts or products will be provided by Victory Range Hoods on an exchange basis, and will be either new or refurbished to be functionally equivalent to new.

### **Who is Covered:**

This warranty is extended to the original purchaser for products purchased for ordinary home use.

### **This Warranty Will Be Voided When:**

Product is damaged through negligence, improper installation, accident, abuse, misuse, natural disaster, insufficient or excessive electrical supply, abnormal mechanical or environmental conditions, or any unauthorized disassembly, repair, modification, or failure to follow installation instructions. When product is used commercially or other than its intended purpose. Damaged because of improper connection with equipment of other manufacturers. Repaired or modified by anyone other than Victory Range Hoods. This limited warranty also does not apply to any product on which the original identification information has been altered, obliterated or removed, has not been handled or packaged correctly or has been sold as second-hand.

### **What is Not Covered:**

Consumable parts such as LED light strips, metal and charcoal filters. The natural wear of finish, and wear due to improper maintenance, use of corrosive and abrasive cleaning products, pads, and oven cleaner products. Chips, dents or cracks due to abuse, misuse, freight damage, or improper installation. Damage of product caused by accident, fire, floods or acts of God. The manufacturer and/or distributor/reseller is not liable for, and does not cover under warranty, any loss of properties or any costs associated with removing, servicing, installing, or determining the source of problems with this product.

This warranty is valid in Canada and the United States of America. It is non-transferable and applies only to the original purchaser and does not extend to subsequent owners of this product. Any applicable implied warranties, including the warranty of merchantability, are limited in duration to a period of express warranty as provided herein beginning with the date of original purchase and, no warranties, whether expressed or implied, shall apply to this product thereafter.

To obtain warranty service, you may contact Victory Range Hoods. Please confirm the terms of Victory Range Hood's policies prior to contacting us. Typically, you must include product identification information, such as the model number/name with a detailed description of the problem you are experiencing. You must also include proof of the date of original purchase as evidence that the product is within the applicable warranty period, and that it is a genuine range hood from Victory Range Hoods.

*The information in this document is subject to change without notice, please contact Victory Range Hoods for updated details.*

## DISCLAIMER

Carefully inspect all items for damages before accepting delivery. Note any damages on the freight bill or express receipt. Request name and signature of the carrier's agent and keep a copy to support your claim. Upon acceptance of items, owner assumes responsibility for its safe arrival. Report damages to the carrier and file a claim immediately. Failure to do so may result in the denial of your claim. The carrier will furnish you with necessary forms for filing a claim.

Damages on any returns or exchanges caused during transit are not covered under our warranty (the customer must insure the return with the shipping company). If your range hood is damaged in transit, please contact us within 14 days of receiving your new order to report the damages. Victory Range Hoods will, to the best of its ability, file a damage claim and investigate the matter.

Please inspect contents of package(s) carefully upon receiving! We must be notified of any damages and/or missing parts within fourteen (14) days upon your receipt of the package(s). Claims will not be accepted after fourteen (14) days. NOTE: Items are thoroughly tested and carefully packed in our facility before shipping.

Products must be returned in good working condition with ALL original parts and documentation packed in all original cartons, fillers and shipping cartons. A restocking fee of 10% will be charged for all approved return(s). Exchanges or returns will not be accepted if the unit has been installed, and may be rejected if parts are missing.

Make sure to inspect the hood for damages and defects before installation. Appearance flaws of the hood found after installation and not affecting hood performance are not covered under our warranty for returns or exchanges. Service visits are not covered under warranty and will carry a service charge.

## CONTACT US

If you require assistance, please contact Victory Range Hoods. Please have your order number and model of the range hood ready. You must have this information in order to receive a response to your request.

If you need replacement parts, we recommend using only genuine parts. Our accessories and parts are engineered and designed specifically for VICTORY range hoods. Each part is rigorously tested assuring the utmost in durability and reliability, providing a factory match, factory-installed appearance and functionality tailored to each individual range hood model.

**583 Nicola Avenue, Port Coquitam, BC, Canada**  
**Toll Free: 1-800-394-4020**  
**[info@victoryrangehoods.com](mailto:info@victoryrangehoods.com)**

*The information in this document is subject to change without notice, please contact Victory Range Hoods for updated details.*

# NOTES

# NOTES



**583 Nicola Avenue | Port Coquitlam | BC | Canada | V3B 0M3**  
**[www.victoryrangehoods.com](http://www.victoryrangehoods.com)**