



Product: 36 INCH COUNTER DEPTH FREESTANDING FRENCH DOOR REFRIGERATOR WITH INTERNAL WATER AND ICE
Model Number: TRF3603FD

TECHNICAL DETAILS

Total Capacity (cu. ft.)	20.2 cu. ft.
Refrigerator Capacity (cu. ft.)	13.7 cu. ft.
Freezer Capacity (cu. ft.)	6.5 cu. ft.
Power (Watts)	275W (Defrosting input power)
Amperage (A) Dedicated	3A
Voltage (V)	115V
Frequency (Hz)	50-60Hz
Plug Type	US 3-Prong
Power Cord Length (in.)	70-7/8"
Adjustable Feet / Leveling	0-1-3/8
Door Swing Clearance	132°

PERFORMANCE AND EFFICIENCY

Annual Energy Consumption (kWh/year)	569
Noise Level (dB)	39
Temperature Range (Refrigerator/Freezer)	Refrigerator: 36°F [2°C] ~ 46°F [8°C] Chiller: 30°F [-1°C] ~ 37°F [3°C] Freezer: 5°F [-15°C] ~ 13°F [-25°C]
Cooling Technology	Dual cooling
Operation Temperature	77-90°F/25-32°C

This refrigerator is designed for indoor, household use only.

Specifications subject to change without notice.

FEATURES & BENEFITS

- Truly Counter-Depth French Door:** Sits flush with standard cabinetry for a premium, built-in aesthetic without custom installation.
- Total No Frost & Dual Cooling:** Independent evaporators manage humidity, prevent odor transfer, and eliminate manual defrosting.
- Precision Chiller Zone (30°F - 37°F):** Specialized temperature-regulated drawer specifically designed for the safe storage of fresh meat and fish.
- Soft-Close Drawers:** Professional-grade gliding rails ensure smooth operation and prevent slamming, even when fully loaded.
- Modular Storage & Gallon Bins:** Height-adjustable half-shelves and 6 gallon-capacity door bins maximize space for oversized containers.
- Panoramic LED & Touch Display:** Side and ceiling LED lighting eliminates shadows, while the digital touch panel offers precision control.
- Super Cool/Freeze & Smart Modes:** Rapidly chills new groceries with dedicated super modes; Includes eco, sabbath, and open door alarms.
- Filtered Water & Automatic Ice:** High-capacity ice maker and discreet interior water dispenser maintain a sleek, clean exterior look.
- Touch Control Digital Display:** A large, high-contrast interface that provides precise temperature management and system feedback at a glance.
- Specialized Freezer Storage:** Features 2 metal freezer drawers for durability and a dedicated pizza freezer drawer for easy access to flat, boxed items.

ADDITIONAL FEATURES

Refrigerator Features	Side + Ceiling LED Lighting
	2 Half-width Height Adjustable Shelf
	6 Adjustable Gallon Door Bins
	Soft Close Metal Crisper
	Extra Chiller Zone
	Water Dispenser
Freezer Features	Total No Frost
	Ice Maker and Storage Box: 2 lbs. of Ice Per Day
	2 Metal Freezer Drawers
	Pizza Freezer Drawer

GENERAL PROPERTIES

Number of Doors	2 Fridge Door + 1 Freezer Door
Number of Shelves	2 Full Width Shelve + 2 Half Width Shelves
Number of Freezer Baskets	3 Drawers
Door Handle Type	Bar Handle
Adjustable & Removable Shelves	2 Half-width Height Adjustable Shelf & 6 Adjustable Gallon Door Bins
Shelf Material	Transparent Glass with Metal Trims
Spill-Proof/Spill-Resistant Shelves	Yes
Reversible Door Swing	No
Soft Closing Door Feature	No
Soft Closing Drawer Feature	Yes
Lighting Type	LED
Control Type	Touch
Display Panel	LED
Vacation/Economy/Fast Freeze/Quick Cool Mode	Yes
Child Lock Feature	Yes
Door Open Alarm	Yes
Water Filter/Replacement Schedule	Yes/6 months
Ice Maker/Water Dispenser	Yes

PRODUCT DIMENSIONS + WEIGHT

Product Dimensions (WxDxH) (in.)	35-3/4" x 30-3/8" x 69-13/16"
Product Depth (Excluding Handles) (in.)	27-7/16"
Product Depth (Excluding Door) (in.)	24-3/16"
Product Depth with Door Open 90° (in.)	44-1/8"
Product Height to Top of Door Hinge (in.)	69-13/16"
Product Height to Top of Refrigerator (in.)	69-3/16"
Cutout Dimensions (WxDxH) (in.)	70-1/8" x 36" x 25"
Net Weight (lbs.)	324
Gross Weight (lbs.)	364
Package Dimensions (WxDxH) (in.)	37-13/16" x 29-1/8" x 73-13/16"

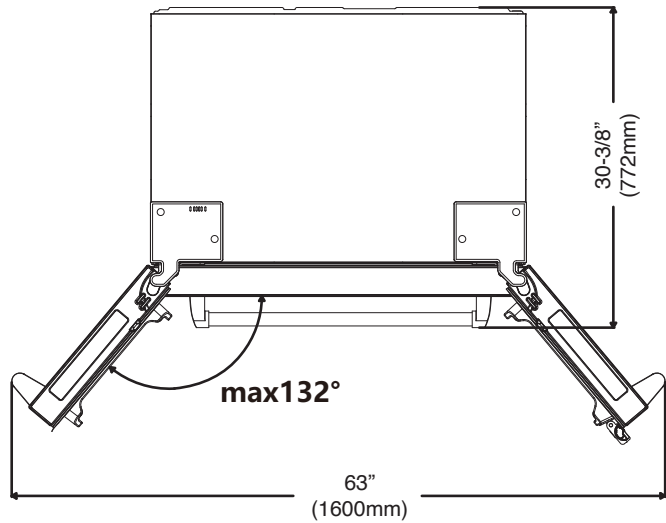
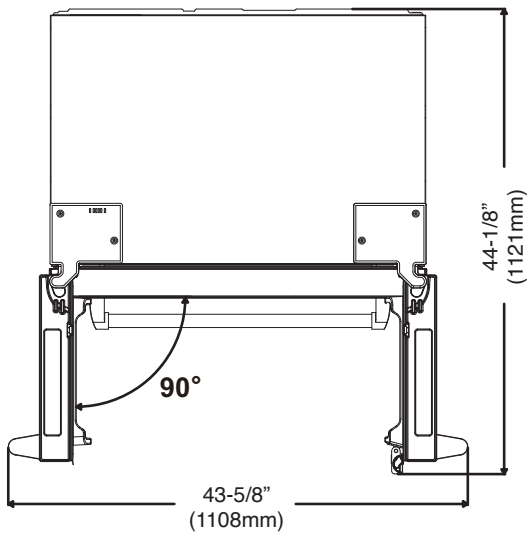
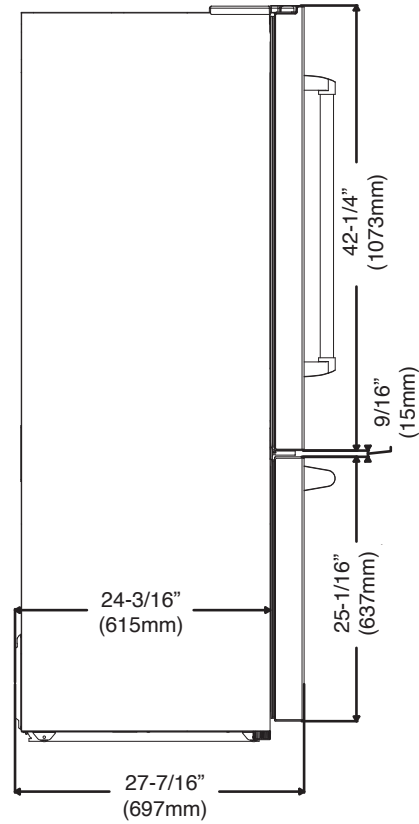
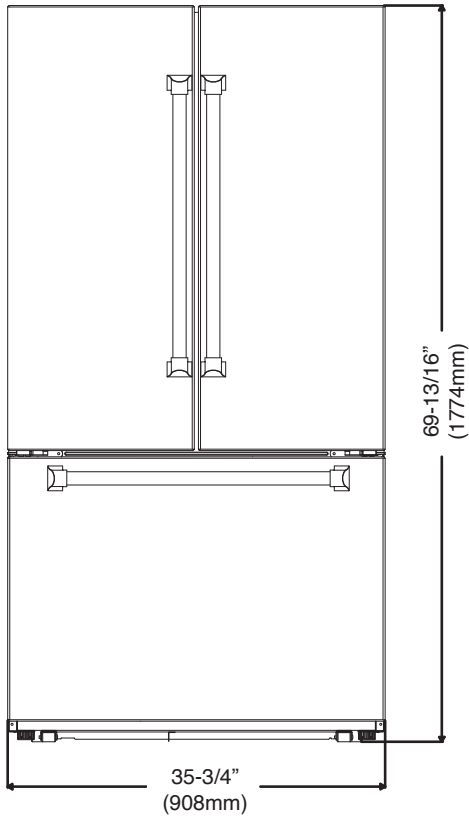
ACCESSORIES INCLUDED

Ice Scoop
Water Filter
Water Filter Bypass Plug

ACCESSORIES (OPTIONAL)

Water Filter Replacement: WFX200CL





Specifications subject to change without notice.

REV.052026