



Product: 36 INCH PROFESSIONAL INDUCTION RANGE

Model Number: RSI36

TECHNICAL DETAILS

Fuel Type	Electric
Installation Type	Freestanding
Watts (W)	12000W
Required Circuit	50 amps
Volts (V)	240V
Frequency (Hz)	60Hz
Control Type	Touch Screen
Plug Type	50 Amp 4-Prong
Power Cord Length (in.)	Canada only. Not included in USA/Mexico

FEATURES & BENEFITS

- + **Tilt Panel Touch Control:** Adjustable control panel tilts for optimal viewing and ease of use.
- + **6.0 cu. ft. Oven Capacity:** Spacious oven easily fits large baking sheets, roasting pans, and multiple dishes at once.
- + **Multi-Function Oven:** Offers versatile cooking modes including Bake, Roast, Broil, Keep warm, Proof, Pizza, Self-Clean and Airfry
- + **Telescopic Rack:** Telescopic rack use ball bearing rack guides for an effortless glide in and out of the oven. This luxury feature allows the rack to extend fully without tipping over for smooth, easy handling of even the heaviest dishes, and adjusts to fit different rack support levels.
- + **Self-Cleaning Function:** Automatically burns off residue at high heat to simplify oven cleaning and reduce buildup.
- + **True Convection Fan:** The true convection fan blows heat from the 1300W heating element for more even heating and optimum cooking and baking results.
- + **Smooth Induction Glass Top:** The sleek, frameless glass surface gives the range a clean, modern look while making cleanup effortless. Underneath, powerful induction technology delivers fast, precise, and energy-efficient cooking by heating only the pan—not the cooktop surface. The result: a stylish, easy-to-clean surface with advanced performance and added safety.
- + **Bridge Element Cooking:** Expands cooking flexibility by connecting two zones into one—ideal for griddles, grill pans, or oversized cookware.



Specifications subject to change without notice.





BLACK
RSI36-BLK



BLUE
RSI36-BLU



BRONZE
RSI36-BRZ



ROSE GOLD
RSI36-RSG



COOKTOP PERFORMANCE

Total Element	5
Cooktop Element Style	Induction
(1) Left Rear 8"	1800/2500W
(2) Left Front 8"	1800/2500W
(3) Right Rear Zone 6-1/2"	1400/1800W
(4) Right Front Zone 7"	1600/2000W
(5) Middle	3000/4000W
Sync Burners	3600W
Hot Surface Indicator Light	yes
Heating Element On Indicator Light	yes
Boost mode	yes

OVEN PERFORMANCE

Oven Capacity	6.0 cu. ft.
Oven Control Features	Oven Light Control, Cook Time, Timer, Delay Start, Self Clean, Control Lock, Sabbath Mode, Temperature Unit
Cooking Modes	Bake, Convection Bake, Multi-Rack Bake, Broil, Convection Roast, Warm, Pizza, Air Fry, Proof, Meat Probe
Bake Burner Power	3500 Watt
Broil Burner Power	3500 Watt
Convection	True Convection
Convention Element Power	800 Watt
Oven Lights	2
Oven Racks	Telescopic Rack x1, Standard Rack x1
Oven Rack Material	Chrome Plated
Baking Sheet Size	Fits Standard Three-Quarter Sheet Pan
Self Clean (Y/N)	Yes
Air Fry	Yes
Oven Internal Width	29-3/4"
Oven Internal Depth	19-1/2"
Oven Internal Height	18"

Specifications subject to change without notice.

PRODUCT DIMENSIONS & WEIGHTS

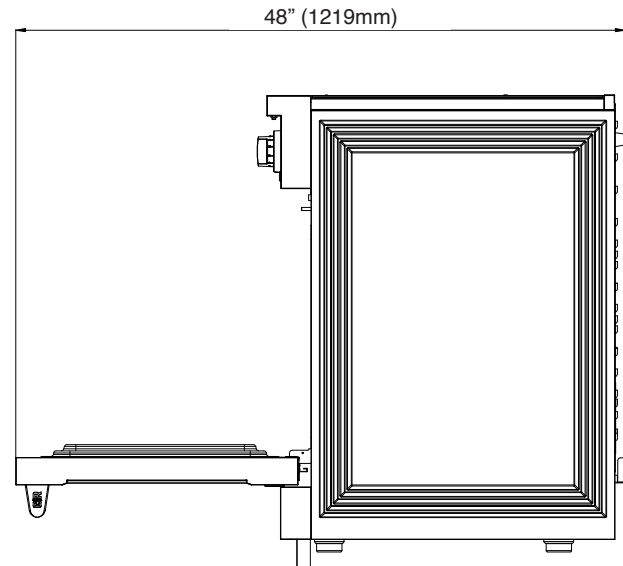
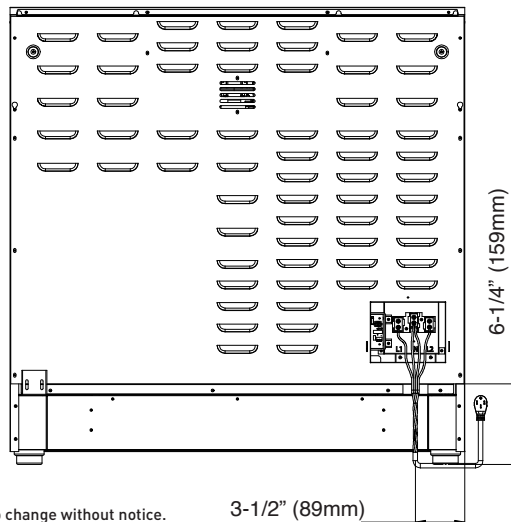
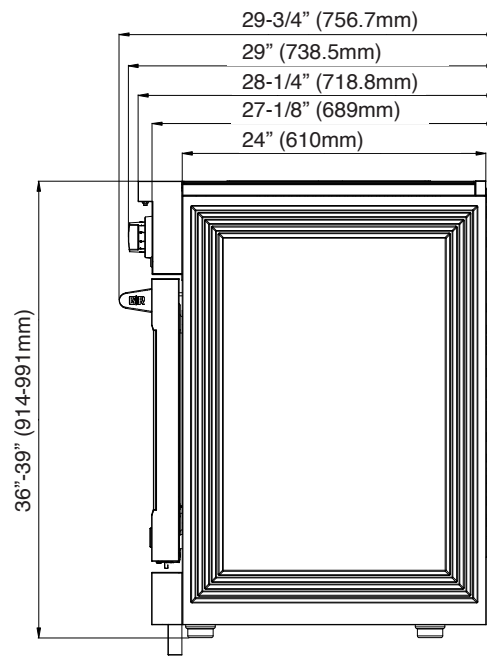
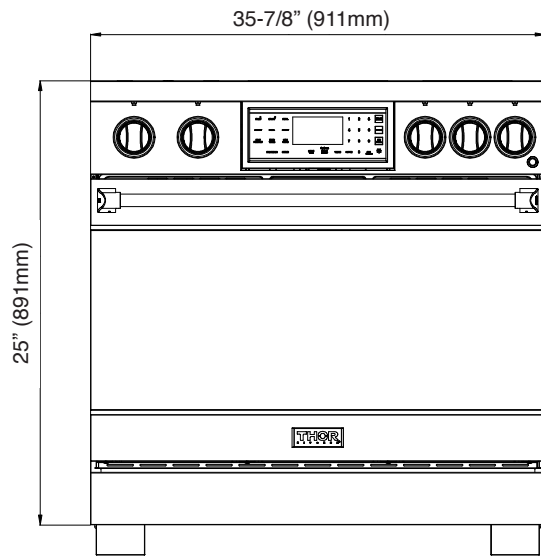
Product Dimensions (WxDxH) (in.)	35-7/8" x 24-3/4" x 36"
Product Height (from bottom to top of back splash) (in.)	36"
Product Height (from bottom to top of side panel) (in.)	34-1/2"
Product Depth (from back panel to bullnose) (in.)	27-3/4"
Product Depth (from back panel to control panel) (in.)	27"
Product Depth (from back panel to side panel front) (in.)	24-3/4"
Cutout Dimensions (WxDxH) (in.)	36" x 24" x 36"
Adjustable Leg Sizes	3"
Net Weight (lbs.)	248
Gross Weight (lbs.)	295
Package Dimensions (WxDxH) (in.)	39-1/6" x 30-1/8" x 45-2/7"

ACCESSORIES (INCLUDED)

1 Telescopic Rack
1 Standard Rack
1 Broiler Pan
1 Air Fry Basket
1 Meat Probe

ACCESSORIES (SOLD SEPARATELY)

US - 50 Amp 4-Prong Power Cord



Specifications subject to change without notice.

3-1/2" (89mm)

REV/042026