



Product: Gordon Ramsay by THOR Kitchen 36 Inch 20.3 Cu. Ft. French Door Counter Depth Refrigerator With Ice Maker In White

Model Number: RF3621CTDW

TECHNICAL DETAILS

Installation Type	Freestanding
Total Capacity	20.3 cu. ft.
Refrigerator Capacity	14.2 cu. ft.
Freezer Capacity	6.1 cu. ft.
Watts (W)	190W
Circuit Breaker Amperage (A)	15A
Volts (V)	115V
Frequency (Hz)	60Hz
Plug Type	3-Prong Plug
Power Cord Length (in.)	94"

FEATURES & BENEFITS

- + **Fast Freezing and Fast Cooling:** Quickly freeze and cool your food to maintain optimal freshness and taste.
- + **Multi-Flow Air System:** Dual vents on every shelf for even air distribution, ensuring long-lasting food freshness throughout the refrigerator.
- + **Inverter Compressor:** Maintains consistent food freshness with quieter, more efficient operation and less wear than traditional compressors.
- + **Electronic Touch Controls:** Adjust settings directly on the door for convenience and ease of use
- + **Control Panel Lock:** Prevents unintended changes to settings, providing peace of mind and added safety.
- + **Door Opening Alarm:** Alerts you if the door is left open, helping to maintain temperature and save energy.
- + **Interior LED Lights:** Illuminate your refrigerator interior with bright, energy-efficient lighting.
- + **Full-Width Adjustable Shelves:** Customize your storage space with fully adjustable shelves to accommodate items of all sizes.
- + **Vacation Mode:** Automatically adjusts temperatures to 43°F for the refrigerator and 5°F for the freezer to save energy while you're away.

GENERAL PROPERTIES

Number Of Door Bins	6
Number Of Shelves	3
Number Of Freezer Baskets	1
Shelf Material	Glass With Stainless Steel Trim
Lighting	LED

REFRIGERATOR FEATURES

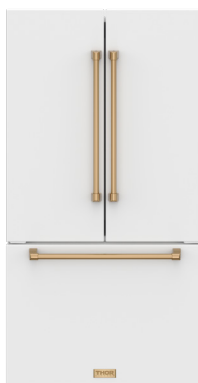
6 pcs Gallon Bottle Storage
Child Lock / Energy Saving & Vacation Mode/ Fast Cooling
Humidity Controlled Crispers
Fridge Temperature Range: 35-46°F [2-8°C]



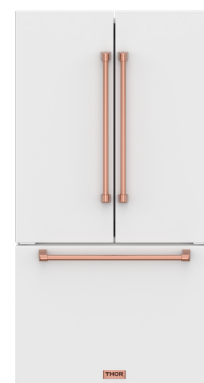
BLACK
RF3621CTDW-BLK



BLUE
RF3621CTDW-BLU



BRONZE
RF3621CTDW-BRZ



ROSE GOLD
RF3621CTDW-RSG



FREEZER FEATURES

Automatic Ice Maker Produces Up To 3.8 Pounds Of Ice Daily

Fast Freezing

Freezer Temperature Range: -10~5°F (-23~ -15°C)

No Frost Design

PRODUCT DIMENSIONS & WEIGHTS

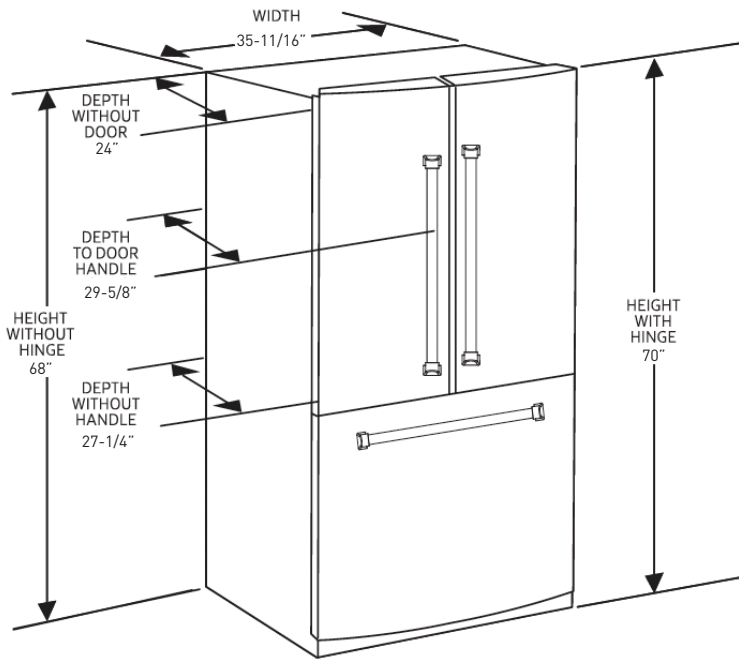
Product Dimensions (WxDxH) (in.)	35-11/16" x 29-5/8" x 70"
Product Depth Excluding Handles (in.)	27-1/4"
Product Depth Including Handles (in.)	29-5/8"
Product Depth Excluding Door (in.)	24"
Product Depth With Door Open 90 Degrees (in.)	43-1/4"
Product Height To Top Of Door Hinge (in.)	70"
Product Height To Top Of Refrigerator (in.)	68"
Cutout Dimensions (WxDxH) (in.)	36" x 26" x 72"
Net Weight (lbs.)	231 lbs
Package Dimensions (WxDxH) (in.)	38-1/8" x 30-1/2" x 73-7/8"
Package Weight (lbs.)	255 lbs

ACCESSORIES INCLUDED

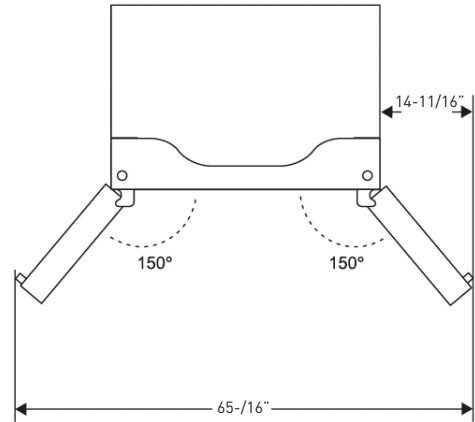
Water Pipe

Ice Scoop

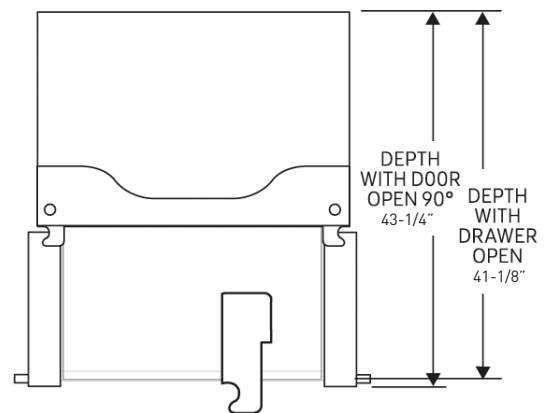
Ice Storage Box



TOP OF REFRIGERATOR WITH DOORS OPEN 150°



TOP OF REFRIGERATOR WITH DOOR OPEN 90°



Specifications subject to change without notice.

REV/05/2026