



THOR
KITCHEN



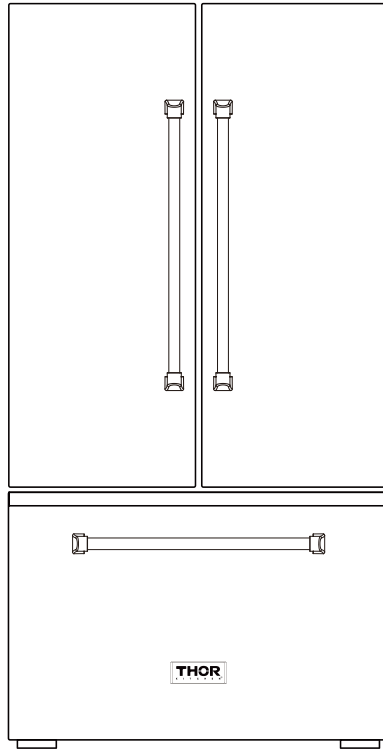
**GORDON
RAMSAY**
COLLECTION

INSTALLATION INSTRUCTIONS

**THOR X GR COLLECTION
REFRIGERATOR**
RF3621CTD99
RF3621CTD00
RF3621CTDW

USE AND INSTALLATION MANUAL

REFRIGERATOR



RF3621CTD99 | RF3621CTD00
RF3621CTDW

THOR
K I T C H E N[®]

Table of Contents

Safety and Warning Information

Safety and warning information-----	2
-------------------------------------	---

Product Dimension

Product features-----	5
Before Using-----	5
Be sure your new fridge will fit-----	6

Installation

Where to install your unit-----	8
Bottle Shelf-----	8
Water supply connection -----	9
Adjust plastic feet-----	10
Handle installation-----	11

Safety and warning information

Safety and warning information

WARNING

Do not damage the refrigerant circuit.

Refrigerant will cause serious injury when it splashing into the eyes. If it happened please go to hospital immediately.

Keep ventilation openings, in the appliance enclosure or in the built-in structure, clear of obstruction.

Do not use electrical appliance inside the food storage chambers of the appliance, unless they are of the type recommended by the manufacturer.

Do not use mechanical devices or other means to accelerate the defrosting process, other than those recommended by the manufacturer.

The refrigerant and insulation blowing gas are flammable. When disposing of the appliance, do so only at an authorized waste disposal centre. Do not expose to flame.

CAUTION

This appliance is not intended for use by persons (including children) with reduced physical, sensory or mental capabilities, or lack of experience and knowledge, unless they have been given supervision or instruction concerning use of the appliance by a person responsible for their safety.

Children should be supervised to ensure that they do not play with the appliance.

DANGER

Do not use or store inflammable materials ether, benzene, alcohol, medicine, LP gas, spray or cosmetics near or in the fridge. It may cause explosion or fire.

Do not put glassware in freezing chamber or refrigerator chamber air outlet, it may cause explosion or hurt.

Make sure of grounding.

Consult a qualified electrician or service person if the grounding instructions are not completely understood, or if you have doubts on whether the appliance is properly grounded.

The incorrect grounding may cause breakdown and electric shock.

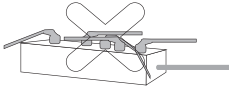
Do not store explosive substances such as aerosol cans with a flammable propellant in this appliance.

This appliance is intended to be used in household and similar applications such as

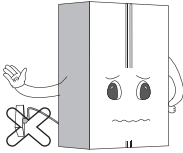
- staff kitchen areas in shops, offices and other working environments;
- farm houses and by clients in hotels, motels and other residential type environments;
- bed and breakfast type environments;
- catering and similar non-retail applications.

Safety and warning information

Safety and warning information



- The dedicated outlet should be used. Using several devices at one outlet may cause fire.



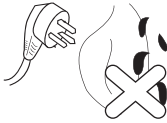
- Install the appliance in a dry, well ventilated room.
- The appliance should be placed close to socket, it is easy to cut off the power supply at the time of the accident.



- Do not allow the power plug to face upward or to be squeezed at the back of the fridge. Water may be flown into or the plug may be damaged, which causes fire or electric shock.
- Do not allow the power cord bent or pressed by the heavy object to be damaged. If it is damaged, it must be replaced by the service agent or a similarly qualified person in order to avoid a hazard.



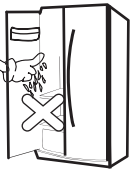
If the supply cord is damaged, it must be replaced by the manufacturer, its service agent or similarly qualified persons in order to avoid a hazard.



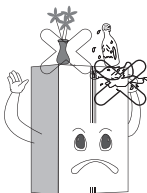
- Unplug the power plug when cleaning, handling the interior lamp of the fridge.

It may cause electric shock or injury.

If the LED lamp is damaged, it must be replaced by the manufacturer, its service agent.



- Remove water or dust from the power plug with dry clean cloth, do not use wet hands touch it and insert it with the ends of the pins securely connected.



- Do not touch food or containers at the freezer with wet hands. It may cause frostbite.
- Do not place the heavy object or the dangerous object, cup, flower vase, cosmetics, medicine or any container with water on the fridge. It may be dropped to cause injury, fire or electric shock when opening or closing the door.

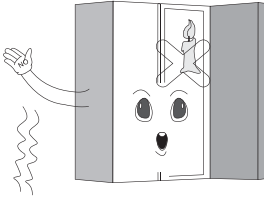
- Do not spray water at the outside or the inside of the fridge or do not clean it with benzene or thinner.

Safety and warning information

Safety and warning information



- Wait for 5 minutes or longer when reconnecting the plug. It may cause the operation of the freezer to fail.



- Do not use the fridge for non-domestic purpose (storing medicine or testing material, blood, using at the ship, etc.) It may cause an unexpected risk such as fire, electric shock, deterioration of stored material or chemical reaction.

- Do not use drier to dry the inside, nor light a candle to remove odor. It may cause explosion or fire.

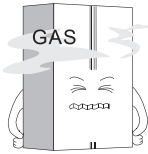
- Do not cling to the door or the trays of the door. It may make the fridge fall down or damage the hands. Especially, do not allow the children to do the above.



- When gas is leaked, do not touch the fridge or the outlet and ventilate the room immediately.

The explosion by spark may cause fire or burn.

When the gas is leaked by the severe damage during delivering, installing or using the fridge, any spark may cause fire or burn.



- Do not insert the hands or the metal stick into the exit of cool air, the cover, the bottom of the fridge, the heatproof grill (exhaust hole) at the backside. It may cause electric shock or injury.

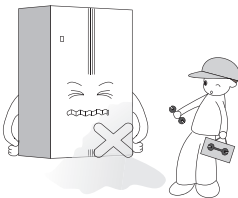
- Do not put ice in thin crystal cup or ceramic ware. It may break cup or ceramic ware to cause injury.

- If the supply cord is damaged, it must be replaced by the manufacturer, its service agent or similarly qualified persons in order to avoid a hazard.

- Use the submerged the fridge after checking it. It may cause electric shock or fire.

- Do not install the fridge in the wet place or the place which water or rain splashes. Deterioration of insulation of electric parts may cause electric leakage. Please check the fridge regularly.

- Do not allow any person except the qualified engineer to disassemble, repair or alter the fridge. It may cause injury, electric shock or fire.



Product Introduction

Product features

- **Energy saving and noise reduction**
It contains super freeze, energy saving, noise reduction, optimal refrigeration system to achieve.
- **Precise temperature control**
Microcomputer control system separate to set, control and display the R-temperature and F-temperature, more precise control.
- **Automatic defrosting**
Special program to reduce the temperature fluctuation of the fridge, it's for keeping food fresh.
- **LED display and touch button**
Control board respectively display refrigerator and freezer chamber temperature setting and functional status; touch button operation is convenient.
- **Door-opening alarm system**
If more than 1 minute door-opening, alarm system will remind you to close the door.
- **Tempered glass, safe and reliable**
Tempered glass, safe and reliable, easy clean and durable.
- **Easy clean and removable door seal**
Door seal is easy clean and removable, and long service life.
- **Automatic ice maker**
The refrigerator has the function of automatic ice making, and users can take ice cube, crushed ice and cold water outside the door.

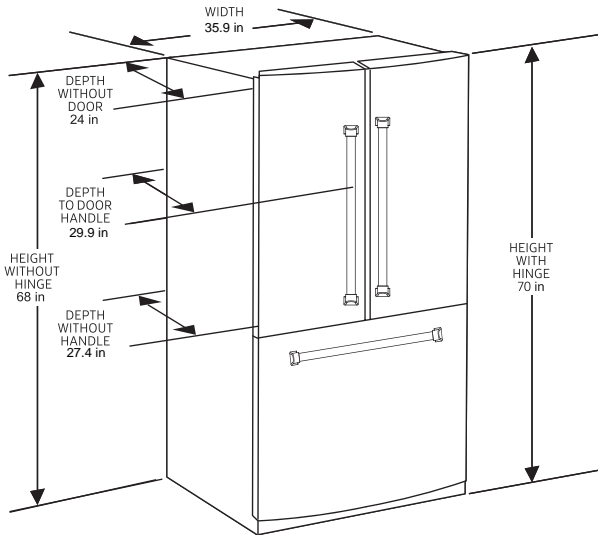
Before Using

- **Remove all packages, including the foam backing at the bottom of refrigerator and the tapes fixing accessories in the box.**
- **Place the refrigerator to a proper position, and adjust the feet to level. It is better to clean the refrigerator before use.**
- **Remove the film: There is a layer of transparent film on the panel of our product, which can protect products from being scratched in the process of production and transportation, and you can choose to reserve or remove the film as needed.**
- **Place the refrigerator and adjust to level, clean it, let the refrigerator stand for above 2 ~ 6 hours, and then power on to ensure that the refrigerator can operate normally.**

Product Introduction

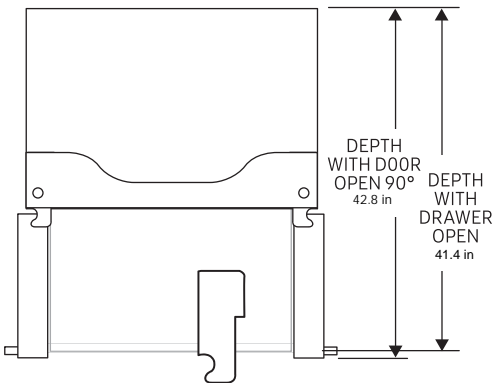
Be sure your new fridge will fit

Don't wait until delivery to be sure your new refrigerator will fit – both in your kitchen and through all doorways. This guide includes all pertinent measurements and clearances so you can buy with confidence.

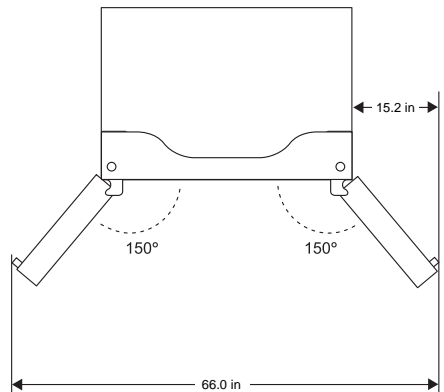


(Model: RF3621CTD99/RF3621CTD00)

TOP OF REFRIGERATOR WITH DOOR OPEN 90°



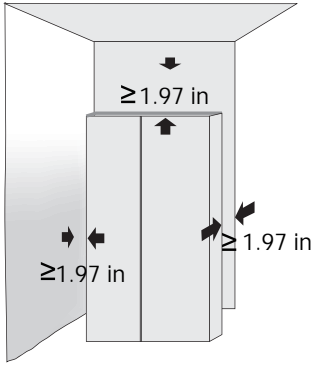
TOP OF REFRIGERATOR WITH DOORS OPEN 150°



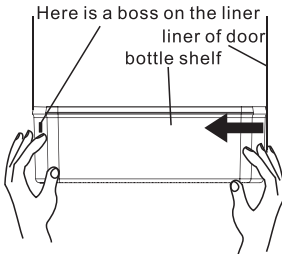
(Model: RF3621CTD99/RF3621CTD00)

Installation

Where to install your unit



- The refrigerator must be placed on a hard, flat ground; if cushioning is needed, stable, hard, nonflammable cushion blocks shall be used, rather than the foam backing of refrigerator.
- The refrigerator shall be kept away from damp locations where water is easy to splash; water or dirt shall be removed with soft cloth timely to prevent rusting which may have an effect on the electrical characteristics.
- Place the refrigerator in a well-ventilated place, reserve a certain space around and behind the refrigerator, and do not cover or block the air grille on the rear cover plate of compressor at the back of refrigerator; Keep the refrigerator away from heat source or direct sunlight.



■ Bottle Shelf

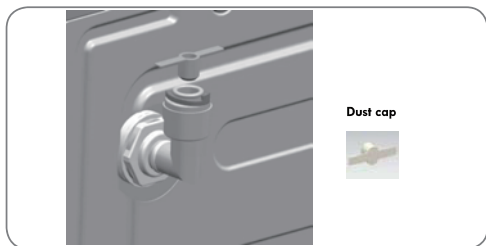
Disassembly: Hold both sides of the bottle shelf with both hands. Push it from the side without the boss and push it inward as the direction of the arrow. When pushing hard, please note that the buckle on the edge of bottle shelf is separated from the groove of the liner. Then bottle shelf can be removed.

Installation : Hold both sides of the bottle shelf with both hands. Install the buckle of the boss side at first. Then push the other side inward slightly, the buckle can be fixed.

Installation

Water supply connection

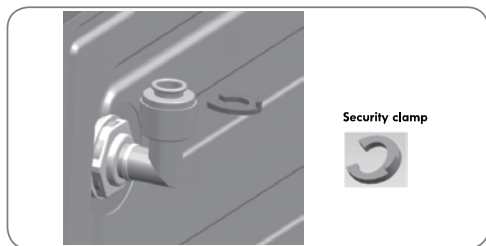
- **WARNING: Connect to potable water supply only.**
- **The water supply system must be installed and connected by a professional technician.**
Connect the refrigerator with the cold water pipe:
Min. pressure: 140Kpa(1.4bar)
Max. pressure:690Kpa(6.9bar)
- When using the function of ice maker, please make sure that the tap water pipe is connected normally and the water valve is opened. Enough space shall be reserved for the faucet connecting water source.
- After the refrigerator operates stably, the ice maker will make ice. Upon power-on for the first time, cold water is available after 5 hours since the refrigerator operates normally, and ice cubes or crushed ice is available after 12 hours.



Step 1) Remove the dust cap.



Step 3) Connect the PE soft tube.



Step 2) Remove the security clamp.



Step 4) Install the security clamp.

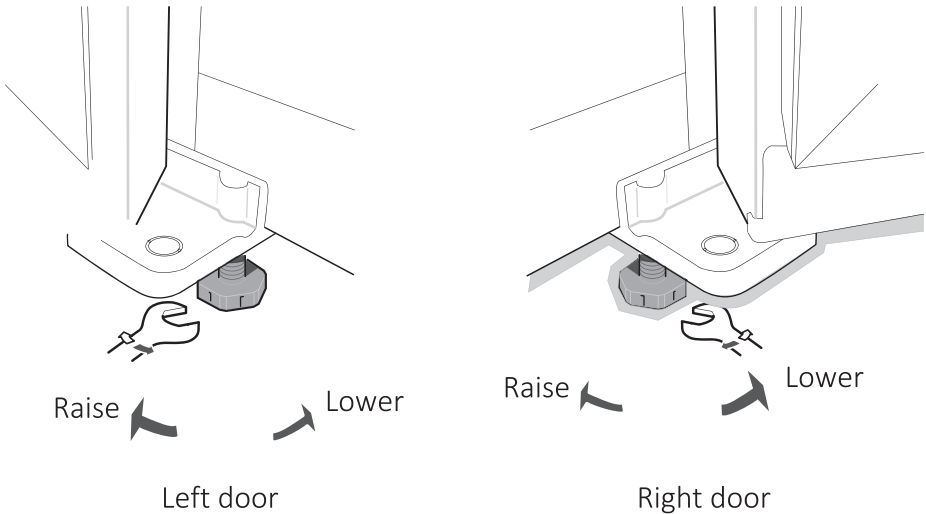
(Model: RF3621CTD99/RF3621CTD00)

Installation

Adjust plastic feet

- This product has a base / wheel design, please ensure the adjustable feet are correctly positioned by turning them clockwise by hand or by using a wrench. It is important that the adjustable feet are adjusted so that they are in firm contact with the ground to prevent movement when the door is opened, if not correctly leveled you may also hear noise caused by the compressor when running.

If the doors are not level once the feet have been adjusted, please turn the adjustable feet from the bottom of the door clockwise using the wrench until the doors are leveled.



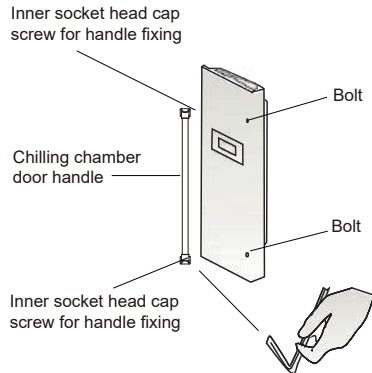
- Prevent food from making direct contact with the liner of the fridge freezer, especially oily foods as this can stain or damage the liner. If food does spill, quickly clean away with warm water to prevent any damage.

Installation

Handle installation

Assembly Instructions of Cold Storage Door Handle:

1. Take the handle set bolts out from the refrigerator, use cross recessed screwdriver to set the bolt on the door. Fix it tight with all the screw thread twisted through the hole, as shown in the figure;
2. After the first step is completed, take the Cold storage door handle out from the box, place it as per direction shown in the figure (Note: i.e. the direction which both screw holes on the handle are close to the edge), and hang the handle above the set bolt;
3. Use the small hexagon spanner supplied in the box to set the handle fixing inner socket head cap screws into both the small screwed holes on the handle. After they are screwed down, gently shake the handle to test if the handles are well erected.



Scheme of installation of cold storage door handle

Assembly Instructions of The Refrigeration Door Handle:

The assembly steps of the refrigeration door handle are same as the cold storage door handle. Please note, the direction of tapping holds are downward to the ground when assemble the refrigerator.

We Stand Behind the Quality of Our Appliances.



Reliability and customer satisfaction are our top priorities. We offer a solid two-year warranty on both parts and labor. Enjoy professional-grade performance with the confidence that we've got you covered.

Warranty Registration Made Easy.

01 Scan the QR Code or visit thorkitchen.com/register-your-product.

02 Input your purchase and product information and select register.

03 That's it. You're all set. Enjoy!

Questions: service@thorinternational.com



WARRANTY



PARTS

