



Product: 48 Inch Professional Gas Range in White
Model Number: LRG4807UW / LRG4807UWLP

TECHNICAL DETAILS

Fuel Type	Natural Gas (LRG4807UW) Liquid Propane (LRG4807UWLP)
Installation Type	Freestanding
Color	White
Amperage or Current (A)	12.5A
Volts (V)	120V
Frequency (Hz)	60Hz
Control Type	Knob Control
Plug Type	US 3-prong
Power Cord Length (in.)	59"

PRODUCT DIMENSIONS

Product Dimensions (WxDxH) (in.)	47-7/8" x 27-1/2" x 36-1/8"
Product Height (from bottom to top of back splash) (in.)	36-1/8" - 37-1/8"
Product Height (from bottom to top of side panel) (in.)	35-9/16"
Product Depth (from back panel to bullnose) (in.)	27-1/2"
Product Depth (from back panel to control panel) (in.)	26-3/8"
Product Depth (from back panel to side panel front)	24"
Cutout Dimensions (WxDxH) (in.)	48-1/8" x 25" x 34-7/8" (+1")
Adjustable Leg Sizes	Not to Exceed 1"
Net Weight (lbs.)	323
Gross Weight (lbs.)	376
Package Dimensions (WxDxH) (in.)	30" x 51-3/8" x 45-1/4"
Package Weight (lbs.)	376

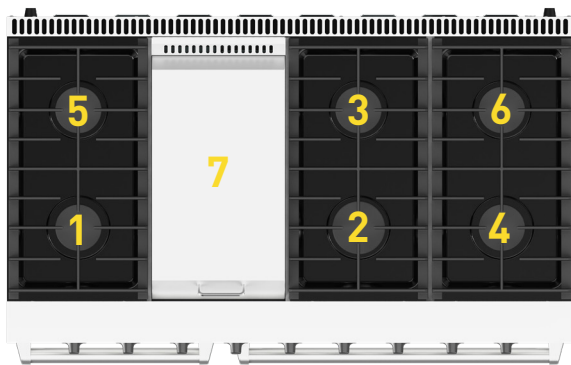
FEATURES & BENEFITS

- High-Powered BTU Burner:** The high-powered 18,000 BTU burner provides fast, intense heat for creating large family meals and restaurant-quality dishes.
- Large Oven Capacity:** Dual ovens at 4.55 cu. ft. and 2.2 cu. ft. capacity allow you to cook multiple dishes at a time.
- Griddle Feature:** The 15,000 BTU griddle offers additional cooking space and flexibility.
- Storage Space:** Storage drawer provides additional storage space for cooking trays and other kitchen utensils.
- Convection Fan:** Commercial convection fan provides controlled heat distribution for fast and efficient cooking.
- Continuous Cast-Iron Grates:** Heavy-duty continuous cast-iron cooking grates that can handle any size cookware.
- Even Heat Broiler:** Reflective gas tube broiler distributes heat evenly to sear your food and seal in the juices.
- Porcelain Spill Tray:** Single-piece black porcelain spill tray catches the mess and makes cleanup easy.
- Porcelain Interiors:** The gray porcelain oven interior adds a stylish touch and is easy to clean.



BURNER PERFORMANCE

Total Number Of Cooktop Burners	7
[1] Front Left Burner (Single)	12,000 BTU
[2] Front Middle Burner (Single)	18,000 BTU
[3] Rear Middle Burner (Single)	12,000 BTU
[4] Front Right Burner (Single)	12,000 BTU
[5] Rear Left Burner (Single)	12,000 BTU
[6] Rear Right Burner (Single)	12,000 BTU
[7] Griddle Burner	15,000 BTU



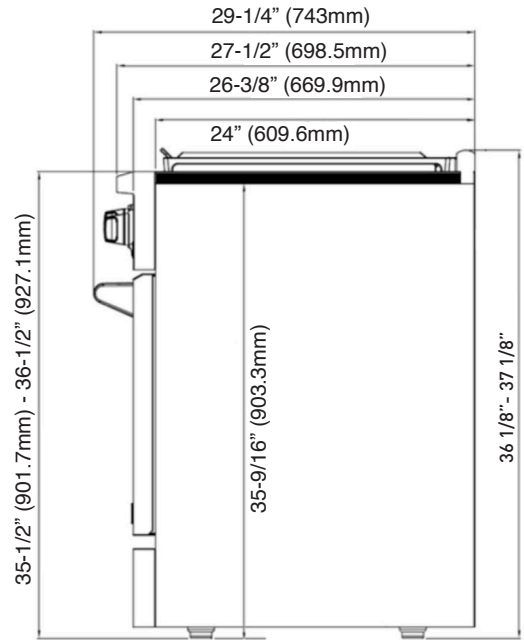
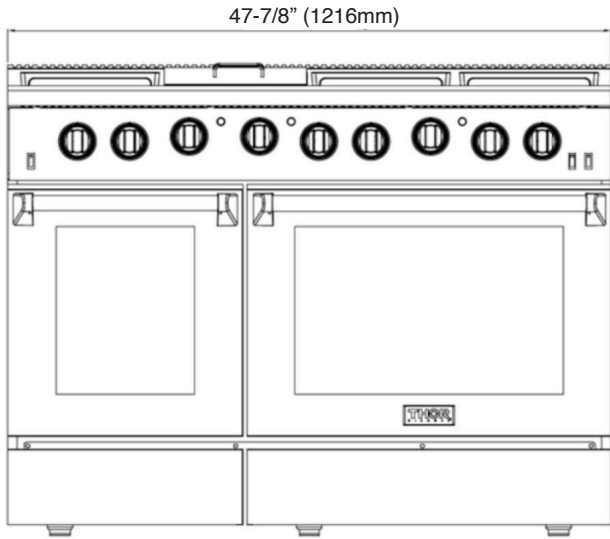
OVEN PERFORMANCE

Oven Capacity (cu. ft.)	30inch oven: 4.55 18inch oven: 2.2
Cooking Modes	Bake, Conv Bake, Roast, Conv Roast, Broil
Tube Broil Burner Power	10000BTU
U-shape Burner Power (30" oven)	22000BTU
Tube Burner	14000BTU
Convention	Commerical Convection
Oven Lights	30inch oven: 1 18inch oven: 1
Oven Racks	30inch oven: Standard Racks x2 18inch oven: Standard Racks x2
Oven Rack Material	Chrome Plated
Baking Sheet Size	30inch oven: Fits 23" x 16" Baking sheet 18inch oven: Fits 16" x 12-1/2" Baking sheet"
Self Clean (Y/N)	No
Air Fry	No

ACCESSORIES (INCLUDED)

30inch oven: 2 Standard Racks and 1 Broiler Pan Set

18inch oven: 2 Standard Racks



NG: Input Pressure: 7 inches,
Output Pressure: 5 inches
LP: Input Pressure: 11 inches
Output Pressure: 10 inches
Size of Regulator: 3/4 inch

