



H-XN30 MultiSINK



H-XN30 18ga Double Bowl MultiSINK Kit with WaterWALL

Includes a 33" X 22" X D10" 18ga 304 Stainless Steel, Dual Mount, 40/60 Multi Level Kitchen Sink with a 304 Stainless Steel, High Neck Waterfall Faucet and Tailor-Made Accessories

MultiSINK Features:

- High grade, durable 304 Stainless Steel Dual-Bowl 40/60 with Modern Thin Central Dam
- Removable Long Drying Grill for Flexible Use & Easy Access
- Dual mount sink, can be top mount or under mount. All hardware included
- Expertly handcrafted sink with a precision slope for effortless drainage, combining functionality with timeless elegance
- Designed with a 5mm radius on each corner for a sleek look and easy maintenance
- Two high grade, durable 304 Stainless Steel Roll-up Grids. Its heavy-duty grade can carry pots & pans and its roll-up capabilities make them very easy to store away. They also provide you with a completely flat working area at the bottom of your sink!
- Two Modern Stainless Steel Strainer with high capacity basket to collect debris



Faucet Features:

- **High Grade 4 Function Stainless Steel Waterfall:** Pivoting Waterfall for wide rinsing, Strong Blade Boost for power washing; Aeriated for regular water flow; and Spray for rinsing
- Modern Look, High Neck Faucet maximizes sink space

Sink & Accessories Specifications:

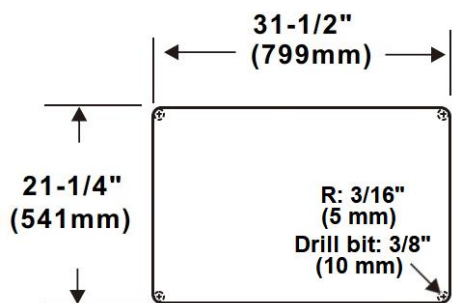
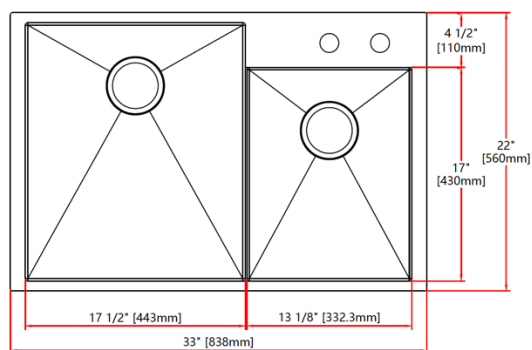
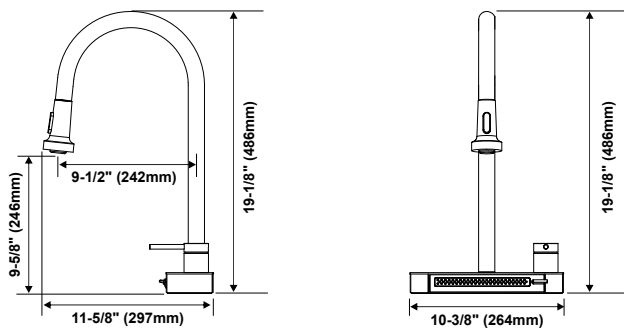
- SS304 Dual Mount MultiSINK L33" x D22" x D10" 18ga 40/60 Double Bowl (IAPMO Approved)
- One SS304 Roll-Up Grids L16.85" x W12.75"
- One SS304 Roll-Up Grids L16.85" x W16.83"
- Two Stainless Steel Strainers (cUPC Approved)

Kitchen Faucet Specifications:

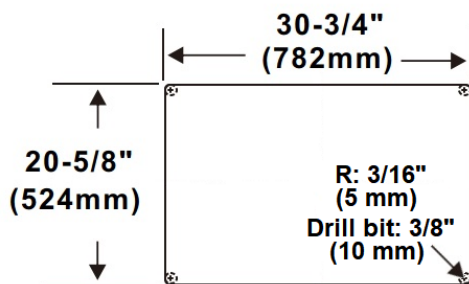
- H19-1/8" Stainless Steel 304 Kitchen Waterfall Faucet
- Waterfall + Three Function Faucet Head
- Plumbing cUPC Approved, Max.1.8GPM
- NSF/ANSI/CAN 372 Lead Free Plumbing Approved
- NSF/ANSI/CAN 61 Drinking Water Health Systems-Health Effect Approved

Packaging:

- ISTA 6 Certified E-Commerce Packaging – Drop test for reliable delivery
- N.W: 38.8 LBS (17.6 KGS); G.W: 50.1 LBS (22.8 KGS)



Cutout for Top mount & Under mount 3/8" reveal



Cutout for Under mount Zero reveal

NSF/ANSI/CAN 372
NSF/ANSI/CAN 61



FORNO ACQUA offers you ONLY certified products — including every component — for safety and compliance — ensuring reliability, safety and lasting performance.

CTM Maison Elite Inc.
11420 Albert Hudon, Montreal,
Quebec, Canada H1G 3J6
1-866-231-8893
Info@ctmmaisonelite.com
www.CTMMaisonElite.com

