



BIG ASS FANS

BANDIT[®]

THIN PROFILE. THICK SKIN.



THE BARREL FAN THAT DOES IT ALL

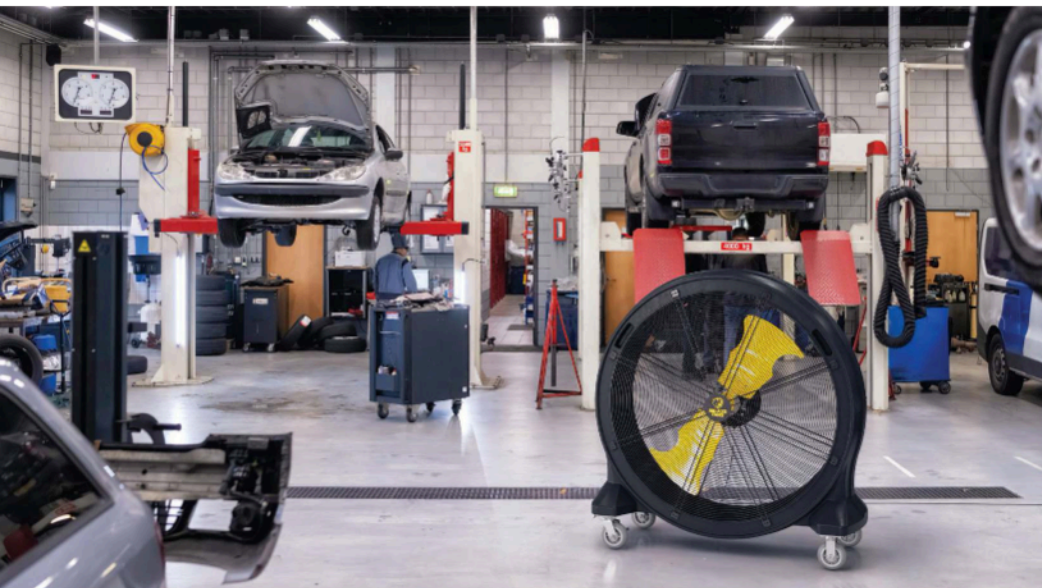
Bandit is the trusted and versatile solution for industry-leading airflow on the go. Durably engineered with impact-resistant rotomold housing and a gearless direct-drive motor for quiet, powerful performance, it redefines what barrel fan technology should be. Whether you need to cool people and products, dissipate fumes and odors, or rapidly dry slick surfaces, Bandit always has your back.

KEY FEATURES

- OSHA-compliant steel cage with locking swivel casters
- Variable speed control with adjustable dial
- 110–120 or 208–240 VAC
- 42" (1067 mm) diameter

BENEFITS

- Up to 5-year warranty
- Conveniently sized for quick use and easy storage
- Custom-designed blades for maximum airflow and noise control
- Indoor and outdoor ready with an IP55 rating
- Arrives pre-assembled for immediate use
- EC motor for quiet, efficient performance



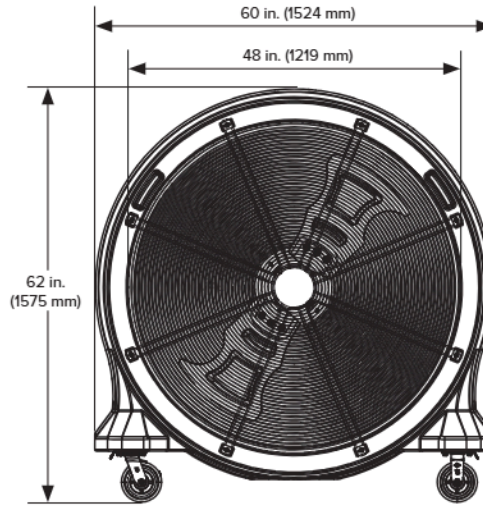
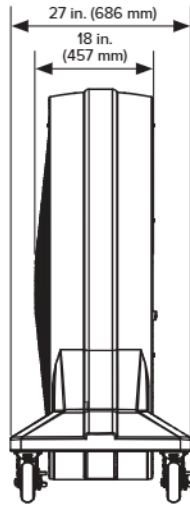
NEED MORE INFORMATION?

Scan the QR code or click the links below.

[Tech Support](#) | [Warranty](#) | [Installation Guide](#)

BANDIT[®]

TECHNICAL SPECIFICATIONS

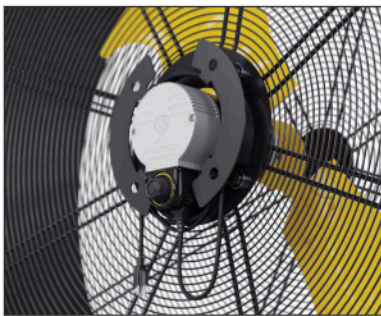


Technical Specifications

Input Power and Required Breaker	Motor Size	Max Amps	Max Power	Volt Amperes	Max Speed	Max Airflow	Weight	Diameter	Packaged Dimensions and Weight	Max Operating Temperature	Sound at Max Speed ¹
110–120 VAC, 1 Φ, 50/60 Hz, 15 A 208–240 VAC, 1 Φ, 50/60 Hz, 15 A	2/3 hp (0.5 kW)	7.59 A 3.56 A	525 W 491 W	803.4 VA 650.3 VA	786 RPM	11,044 CFM 10,916 CFM	167 lb (75.7 kg) 171 lb (77.6 kg)	42 in. (1067 mm)	63 in. L x 29 in. W x 67 1/3 in. H (1600 mm L x 737 mm W x 1705 mm H) 236 lb (107 kg)	122° F (50° C)	72.1 dBA

Construction Features

Cage and Frame	Blades	Motor and Controller	Power Supply ²	Environment ³	Colors	Accessories
Impact-resistant roto-molded polyethylene housing with built-in recesses for easy maneuvering OSHA-compliant steel wire cage Four 6-in. (152-mm) casters (two braking swivel) with rubber treads Four steel tie-down brackets for securing fan during transport	Two precision-balanced aluminum blades with steel hub	Electronically commutated (EC) motor with integrated infinitely variable speed control	10 ft (3 m) cord with plug fits standard power outlet Cord wrap for easy storage	IP55 Suitable for use in damp locations	Black and Yellow Midnight Black Custom colors available	Protective cover



EC motor with integrated variable speed control



Black and Yellow



Midnight Black



¹ Fans are sound tested at maximum speed in a laboratory environment. Actual results in field conditions may vary due to sound reflecting surfaces and environmental conditions.
² Cord length may vary depending on region.
³ Not suitable for salt air environments. Do not leave fan outdoors for extended periods of time or in anticipation of inclement weather.

Lead times may vary.
See full warranty for coverage information.



BIG ASS FANS[®]

USA
BIGASSFANS.COM
877.244.3267

CANADA
BIGASSFANS.COM
844.924.4277

AUSTRALIA
BIGASSFANS.COM/AU
1300.244.277

SINGAPORE
BIGASSFANS.COM/SG
65.6709.8500

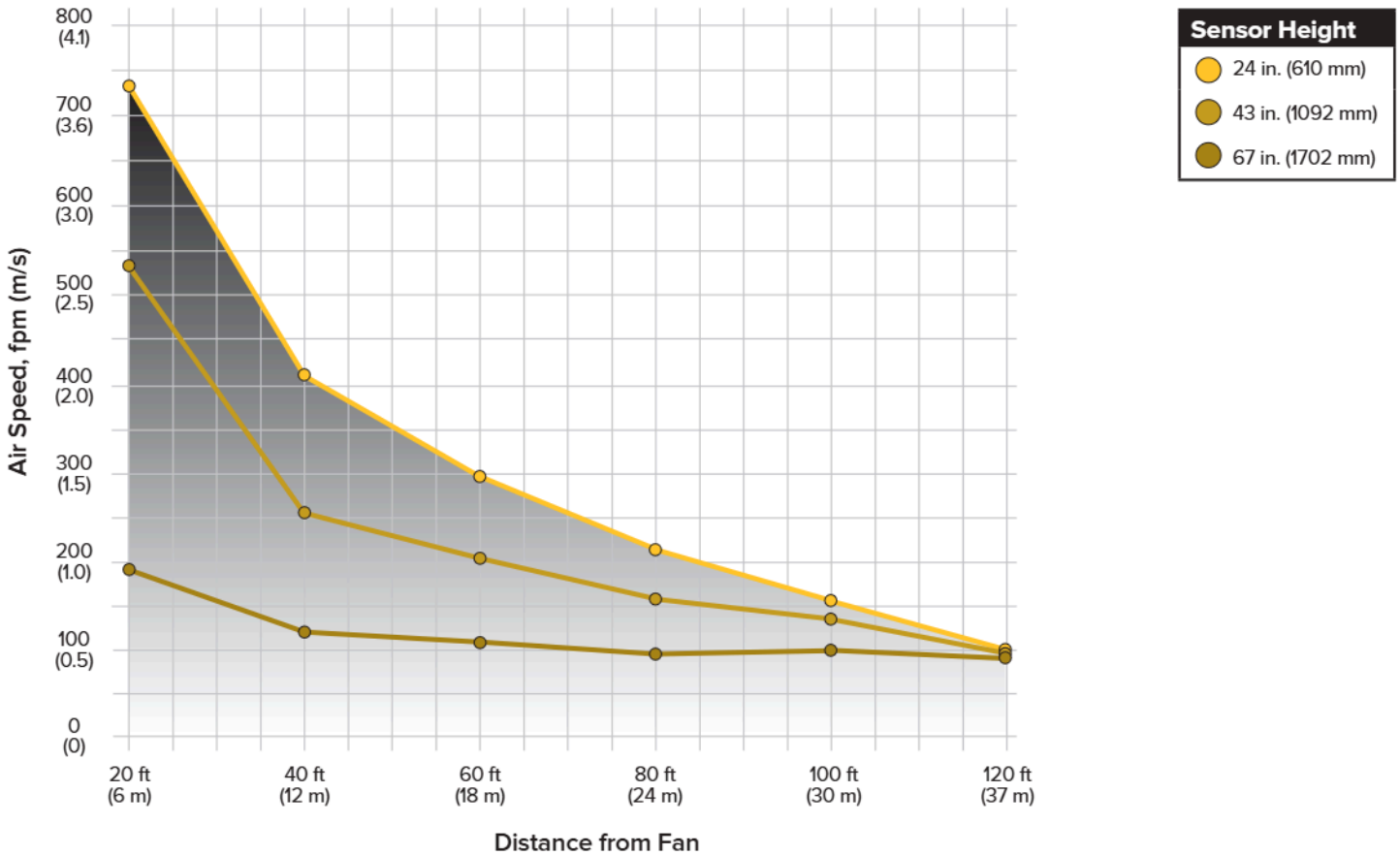
BANDIT[®]

AIRFLOW



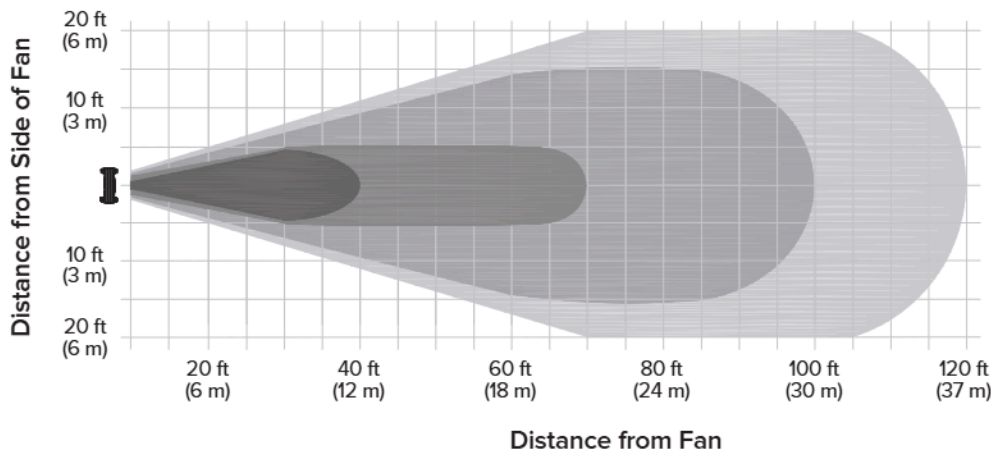
AIRFLOW VELOCITY

The three lines show air velocity from the center of the fan at three sensors of varying height.



AIRFLOW COVERAGE

Shaded areas represent cooling up to 120 feet (36.6 meters). That's one-third the length of a football field! Darker shading indicates faster air speeds.



BIG ASS FANS[®]

USA
BIGASSFANS.COM
877.244.3267

CANADA
BIGASSFANS.COM
844.924.4277

AUSTRALIA
BIGASSFANS.COM/AU
1300.244.277

SINGAPORE
BIGASSFANS.COM/SG
65.6709.8500