

Job Name:	
Submitted By:	



Submittal Sheet For:	CT009GLSILCFHG / YN009GLSI24RPG
-----------------------------	--

Date _____
 Ref. _____

Ceiling Cassette Ductless 23SEER Inverter Heat Pump

System Full Set Model: **CYT009GLSI24RL**
 AHRI Reference Number: **217048758**

Cooling Mode Performance


Rated Cooling	9,500 BTU/hr
Ambient Range	5~131°F
SEER2 Rating	23.0 BTU/W·h
EER2 Rating	12.5 BTU/W·h

* 100% Capacity @ Indoor DB 80°F / WB 67°F

Heating Mode Performance

Rated Heating	9,500 BTU/hr
Ambient Range	-13~86°F
HSPF2 IV (V)	10.5 (9.0) BTU/W·h
COP2 (47°F)	3.8 W/W

Heating (17°F) = 8,500 BTU / Heating (5°F) = 7,400 BTU / COP2 (5°F) = 1.95 W/W



Ceiling Cassette Indoor Unit



Outdoor Condensing Unit



User-Selected Installation Kit



Handheld Remote Controller

Electrical Information

	Cooling	Heating
Rated Input (W)	750	720
Rated Current (A)	3.3	3.1
Breaker Needed	15A (Double-Pole)	
Power Supply	208~230V, 60Hz, 1Ph	

Interior Unit (Air Handler) Specifications

Type	Heat Pump
Sound Level (dBA)	43 (Turbo)/ 40 (Hi)/ 33 (Med)/ 31 (Lo)/ 30 (Mute)
Auto Air Circulation	2-Way Louver (Up-Down + Left-Right)
Dimensions (WDH)	22-1/2 in x 22-1/2 in x 9-5/8 in
Weight (lbs)	32


Piping and Refrigerant

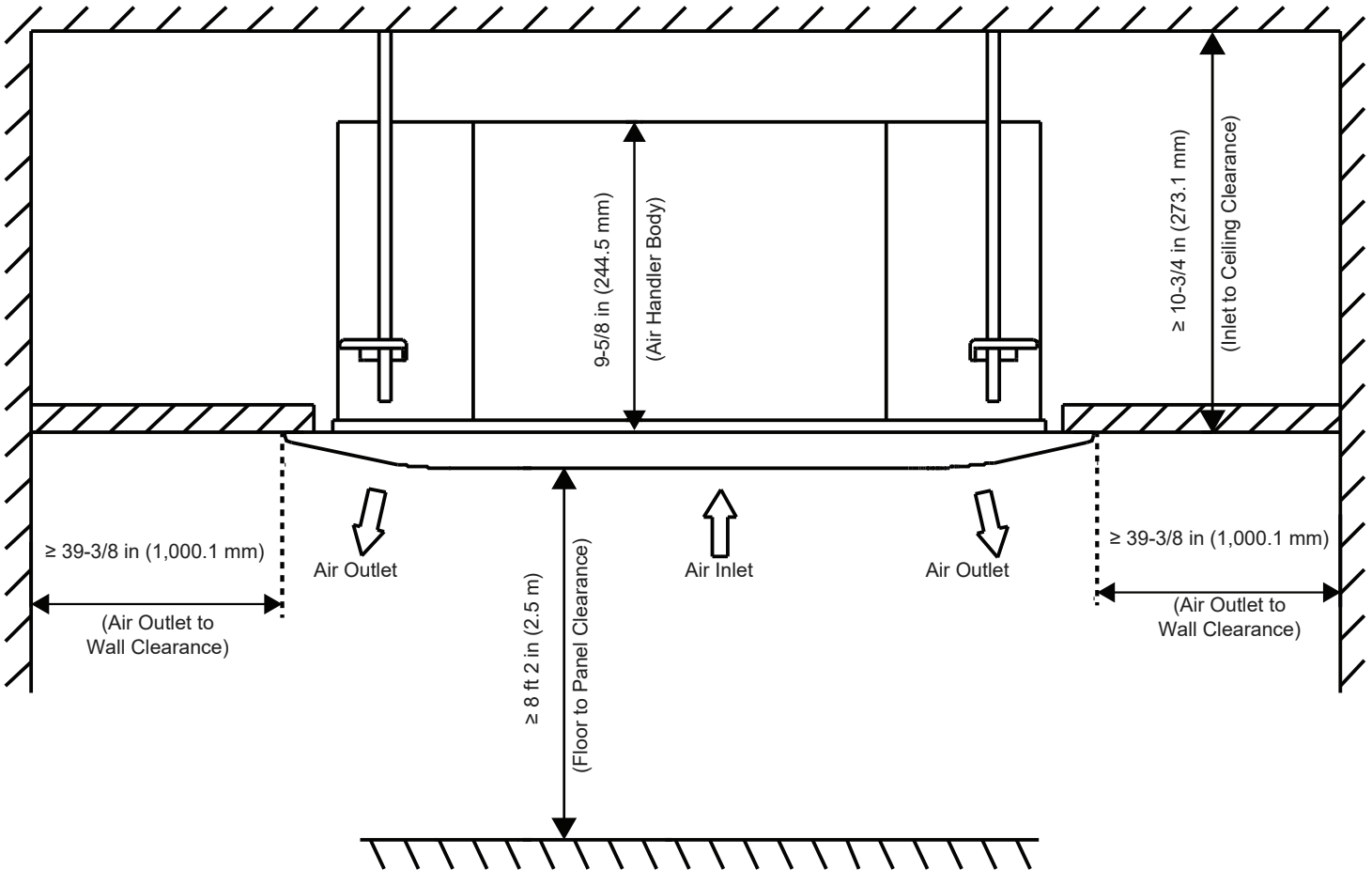
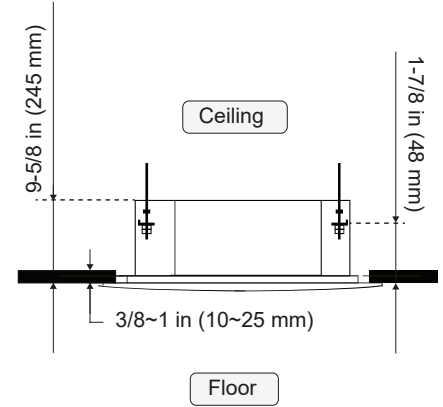
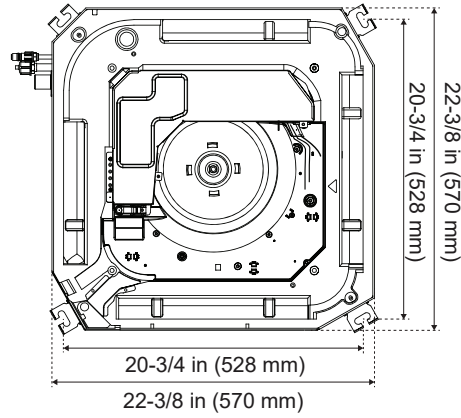
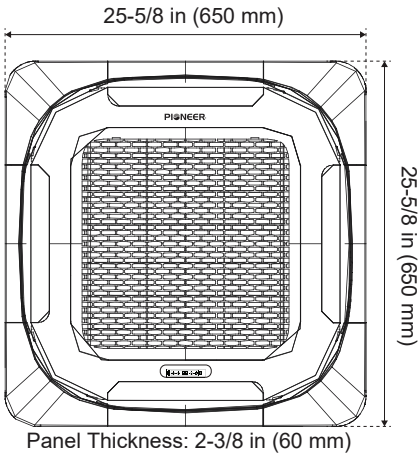
Liquid Line (OD)	1/4 in
Suction Line (OD)	3/8 in
Refrigerant Precharge	R-454b(Supports 10-50 ft.)
Max Length/Height Diff.	50 ft. / 33 ft.

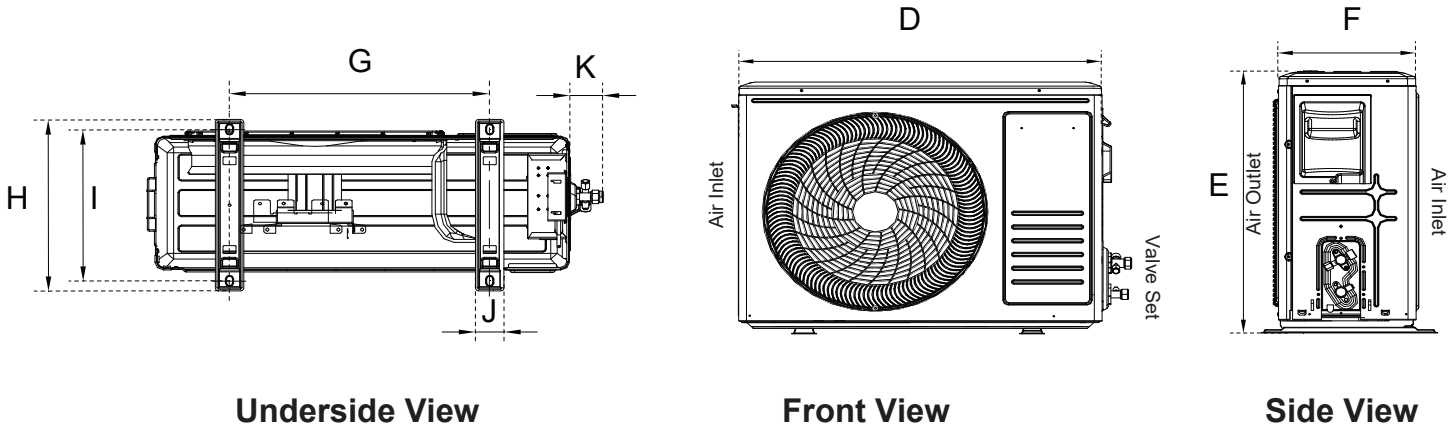
Exterior Unit (Condenser) Specifications

Sound Level (dBA)	50
Recommended Room Size	250~350 Sq. ft.
Minimum Room Size	28 Sq. ft.
Compressor	Inverter-Driven Rotary
Dimensions (WDH)	31-7/8 in x 12 in x 21-5/8 in
Weight (lbs)	52.7

This combination is Energy-Star certified.







Model	D	E	F	G	H	I	J	K
YN009GLSI24RPG	29-1/8 in	21-3/4 in	10 in	17-1/8 in	12 in	11-1/4 in	1-7/8 in	2-1/4 in
	741 mm	551 mm	253 mm	434 mm	304.8 mm	285 mm	48 mm	58 mm

Warranty Information and Length



Complete warranty details are available with the vendor or online at <https://www.pdhvac.com/support/warranty/>. This high quality system is eligible for up to 10 years limited warranty on the compressor, and 7 years on other internal parts. To qualify for this warranty, the system must be installed within 90 days by a registered technician. All other installations that are registered default to 5 years parts/compressor. Products unregistered qualify for only 1 year parts/compressor warranty.

Outstanding Features

- LED Display
- Energy Saving
- Ultra-Thin Design
- Dual Drain Options
- Customizable Timer
- Eco-Friendly Refrigerant
- Whisper-Quiet Operation
- Power Loss Memory Recovery



Available Accessories

Part Number	Description
IKT-LCVR4P-KIT	<i>Decorative PVC Line Cover Kit</i>
IKT-LNBR-1/4-3/8	<i>BendAid Flexible Easy Bender Kit</i>
BRK-FRM-C-2P	<i>Folding Mounting Bracket w/ Leveler</i>
IKT-UVL32UL-AG	<i>UVC Bacterial Disinfection Kit</i>
IKT-SURPRK-DV2	<i>Ultimate Surge and Power Protection</i>